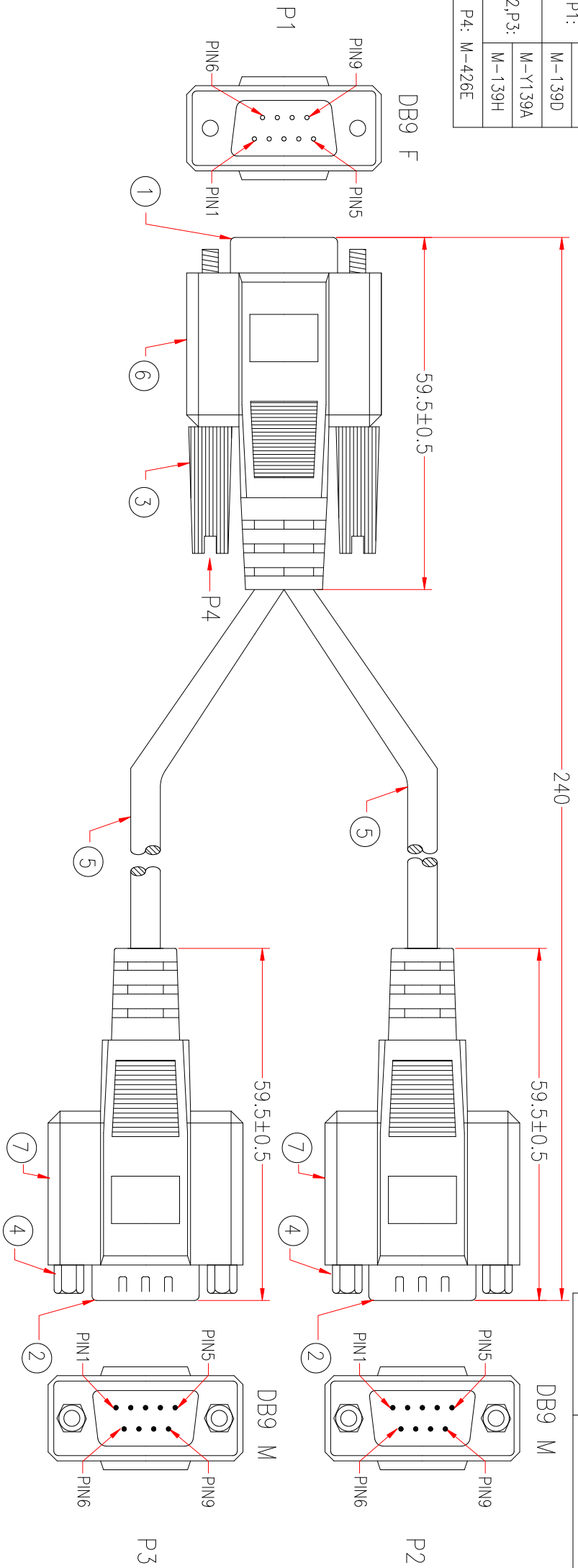


P1:	M-Y139A
	M-139D
P2,P3:	M-Y139A
	M-139H
P4:	M-426E



1D98

P2	P1	P3
1	1	1
2	2	2
3	3	3
4	4	4
5	5	5
6	6	6
7	7	7
8	8	8
9	9	9
SHIELD	SHIELD	SHIELD

6&7	BLACK HEAT SHRINK TUBE ϕ 3.0*22mm	A4HA26-0745	3	M743
	ALUMINUM FOIL 33*65mm	A6MA05-0579	3	M579
5	MOLDED PE COLOR TRANSPARENT	ASBA02-0280		M280
	MOLDED PVC BEIGE	H1BF01-0304B01		M304
5	NON-UL 9C 28AWG, ALUM-MYLAR FOIL SHIELDING WITH DRAIN WIRE, OD 5.0mm, JACKET BEIGE, DRAWING No. EWA12809C-051	H5BL31-0304B01	220*2mm	M304
4	HEX-NUT 4.75*8.5mm, #4-40	A6BB07-0095	4	M95
3	MOLDED THUMBSCREW #4-40, LENGTH 46.5mm, BEIGE	A6AA30-0095	2	M95
2	DB9 MALE, GOLD FLASH ON CONTACTS, BLUE INSULATOR	A1AA17-0108	2	M108
1	DB9 FEMALE, GOLD FLASH ON CONTACTS, BLUE INSULATOR	A1AA03-0108	1	M108
No.	DESCRIPTION		QTY	Supplier
APPROVED	Cable Length Unless Other Spec.			
CHECKED	HU	Tolerances: 0 ~200mm		
DRAWING	JIANG	201~1000mm		
DATE	24/FEB/12	ITEM NO.	D920-YY-NUT	
		UNIT:mm	±10mm	
			±20mm	
			±25mm	
			±30mm	
			±40mm	

CHECKED

Customer No: No.1