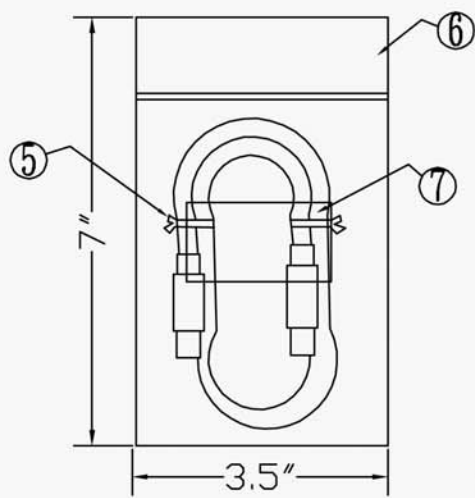
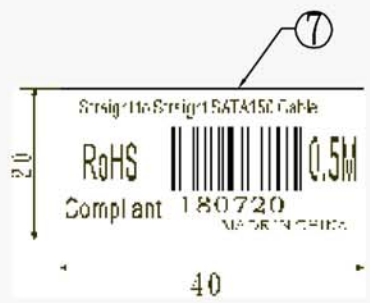
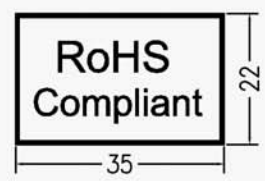
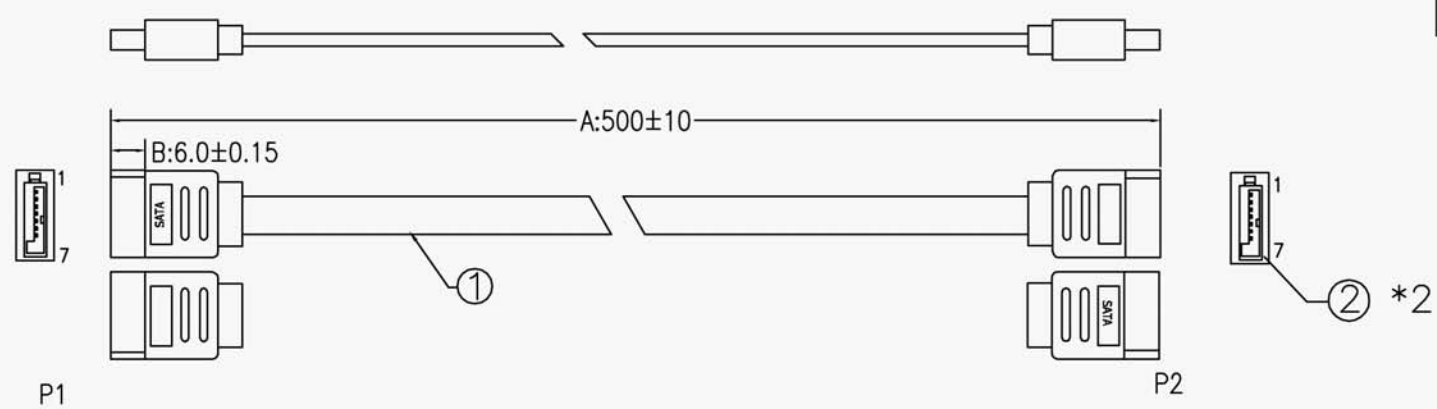
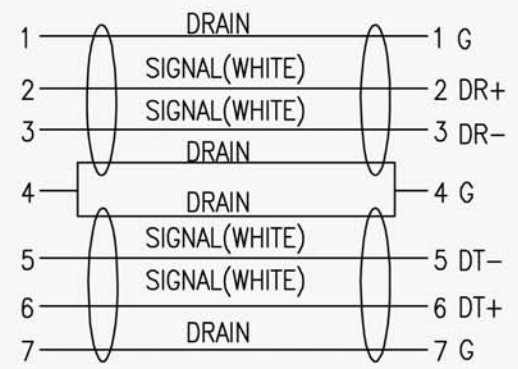


CUSTOMER NO:	REMARK
180720	K1:0.54/17.3g



PINOUT:



NOTE:

- 1) CONDUCTOR RESISTANCE:1 Ω Max;  
INSULATION RESISTANCE:100M Ω Min; (絕緣阻抗100M歐姆)  
HI-POT:DC 300V;(高壓測試DC300V)  
SHORT AND OPEN 100% TESTING (100%短、斷路測試)
- 2) PRIMARY DIM:A.B (主要尺寸:A, B)
- 3) P1,P2 DIE NO:OZ07Z02 (P1, P2模具編號:OZ07Z02)

3	OUTER JACKET PVC 60Pa BLACK(1101)
2	SERIAL ATA150 PBT CRIMPING TYPE CONNECTOR BLACK
1	SERIAL ATA CABLE (26#2F+A+2D)*2 OD:2.2*7.6 RED 500MM

A	FIRST EDITION		
REV	DESCRIPTION	C.N.	DATE
TITLE		P/N	6500-0455
SERIAL ATA150		DR	20 24/08/09
CUSTOMER:			UNIT:MM
CHKD:	APPD:	CONF:	⊕ ⊖
			SIZE:A4