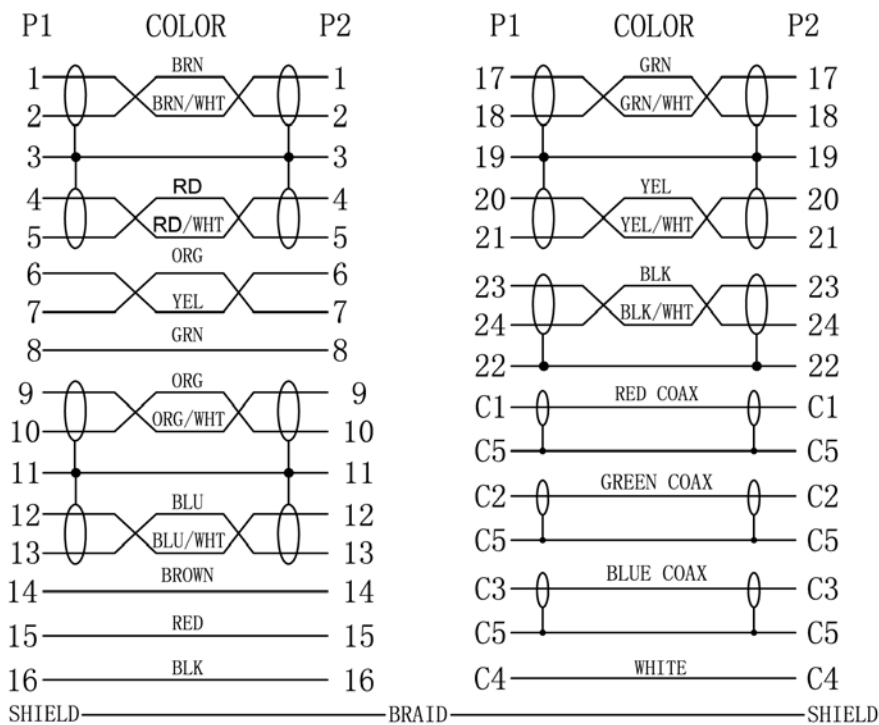


**PINOUT:**



**SPEC:**

1. CABLE:UL20276 7\*(1PR+AEP)+1P+5C+3RGB COAX  
28AWG JACKET PVC BLACK IN COLOR OD:9.6MM
2. CONNECTORS:DVI24P+5 MALE PIN&SHELL GOLD PLATED
3. FERRITE:(28.5\*17.5\*10.5)MOLDING PVC BLACK IN COLOR
4. 100%METAL SHELL OF DVI CONNECTORS
5. MOLDING SCREW 4-40UNC 4\*45mm
6. MOLDING PVC BLACK IN COLOR OF DVI CONNECTORS
7. DUST CAP

REV	DATE	PROJECTION	DRAWN BY	CHECKED BY	SALES	APPROVAL BY
A/1						
			SCALE:	UNIT:MM		

**SFCable.com**

CUSTOMER P/N:	CUSTOMER	Codes	SHEET NO.
DVIIF-3MM		KD054	1/1