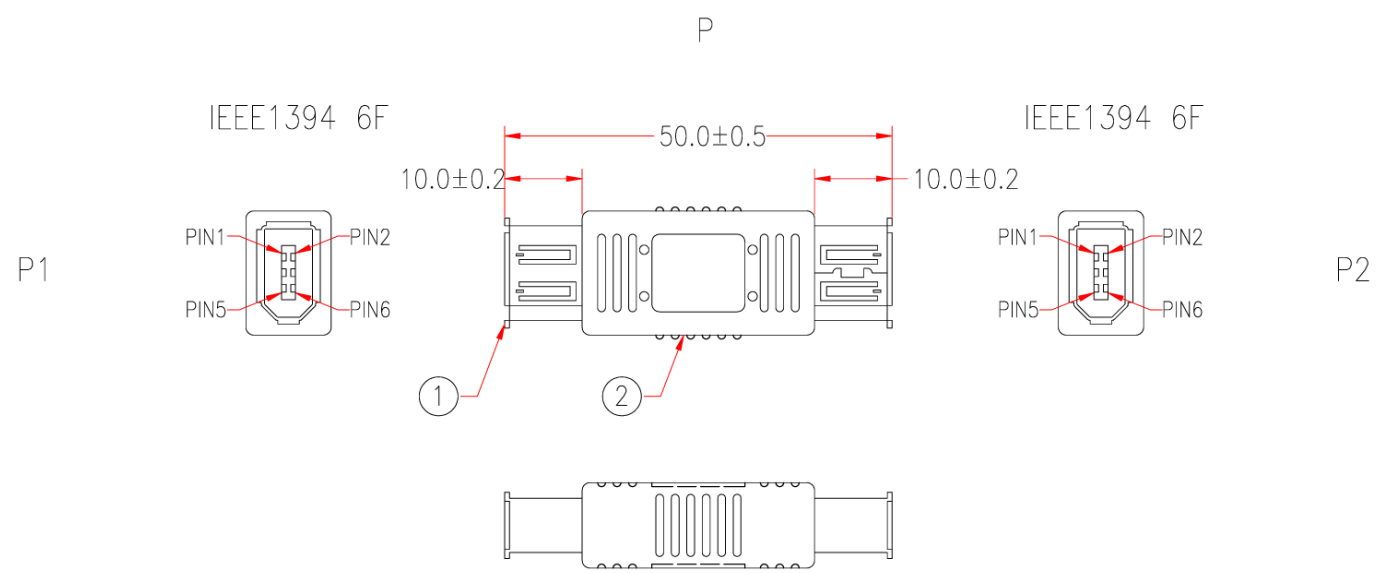


P: M-Y4009A
M-4009A

Customer No: No.1



P1		P2
1	—————	1
2	—————	2
3	—————	5
4	—————	6
5	—————	3
6	—————	4
SHIELD	—————	SHIELD

2	UL1007 30AWG INSULATION WIRE, LENGTH 28mm, DRAWING No.EH003001C-023	7	M304
	COPPER FOIL 20*50mm	1	M379
	MOLDED PE COLOR TRANSPARENT		TWN
	MOLDED PVC BEIGE		M304
1	IEEE1394 6P FEMALE, GOLD FLASH ON CONTACTS, BLACK INSULATOR	1	M108
No.	DESCRIPTION	Q'TY	Supplier
APPROVED		SFCABLE.COM	
CHECKED	TIAN		
DRAWING	SONG		
DATE	14/JUN/06	ITEM NO.	FW16-01
		UNIT:mm	

Cable Length Unless Other Spec.
Tolerances:
0 ~200mm ±10mm
201~1000mm ±20mm
1001 ~1500mm ±25mm
1501~2100mm ±30mm
2100mm↑ ±40mm

CHECKED