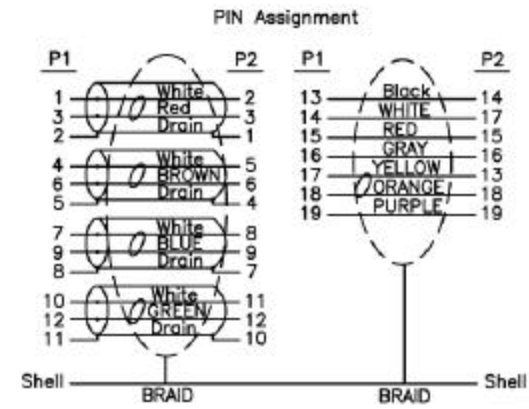


ELECTRICAL TEST:
 1.100% OPEN & SHORT & MIS WIRE TEST
 2.CONTACT RESISTANCE:2 OHM(MAX)
 3.INSULATION RESISTANCE:10M OHM(MIN)
 4.HI-POT TEST:DC 300V/10ms



10	A6-0000030	MINI HDMI COVER TRANSPARENT	1	PCS
9	A6-0000015	HDMI COVER TRANSPARENT	1	PCS
8	A10-R075133	BLACK SHRINK TUBE #1.5*16MM	2	PCS
7	A10-R075205	BLACK SHRINK TUBE #0.6*6MM	4	PCS
6	A10-R075137	BLACK SHRINK TUBE #2.0*10MM	8	PCS
5	A5-R047001	BLACK 45P PVC	16	G
4	A5-R047011	TRANSPARENT PE	3	G
3	A2-R020095	MINI HDMI M 19P SOLDER TYPE BLACK INSULATION SHELL GOLD PLATED	1	PCS
2	A2-R020044	HDMI M 19P SOLDER TYPE BLACK INSULATION SHELL GOLD PLATED	1	PCS
1	A4-R001402	UL20276(32AWG*1PR+EAM)*4C+32AWG*1PR+32AWG*5C+AB OD:5.0MM BLACK JACKET(1.3b)	1.83	M
NO	CELINK P/N	DESCRIPTION	Q'TY	UNIT

REV.	TOLERANCE		DESCRIPTION	DATE
	INCHES	M/M		
.X	.015	.30	TITLE: HDMI M/MINI HDMI M 32AWG	DRAWN BY
.XX	.010	.10		
.XXX	.005	.05		
CHECK BY	CUSTOMER :		CUSTOMER P/N:	HDMI-S-XXMM
APPD BY	SCALE	NONE	DRAWING NO:	REV A
	UNIT	MM		1/1
	DATE	2009/2/20		