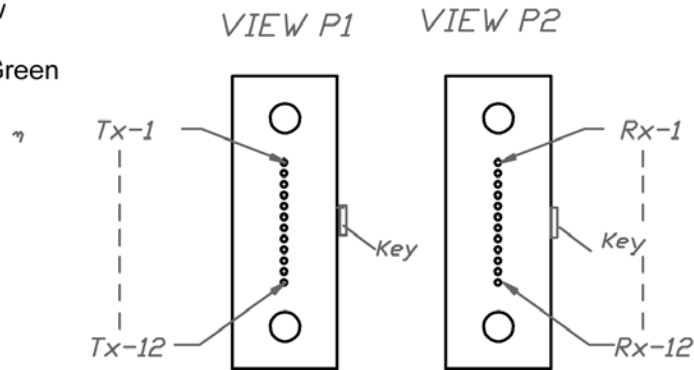


Fiber-MM50&62.5/125um,OM3 ,SM-G652d
 Cable Color-- MM50&62.5/125um-Orange, OM3-Aqua, SM-Yellow
 Cable Material-PVC
 Multi Housing Color-- MM50&62.5/125um-Beige,OM3-Aque,SM-Green
 Single Boot Color-is all black



OPTICAL CONNECTOR	
FROM P1	TO P2
Tx-1	Rx-1
Tx-2	Rx-2
Tx-3	Rx-3
Tx-4	Rx-4
Tx-5	Rx-5
Tx-6	Rx-6
Tx-7	Rx-7
Tx-8	Rx-8
Tx-9	Rx-9
Tx-10	Rx-10
Tx-11	Rx-11
Tx-12	Rx-12

2. CABLE ASSEMBLY AND ITS COMPONENTS ARE COMPLIANT WITH EU DIRECTIVE 2002/95/EC ON THE RESTRICTION OF THE USE OF HAZARDOUS SUBSTANCES IN ELECTRICAL AND ELECTRONIC EQUIPMENT (RoHS).

			ANGLES $\pm 0.5^\circ$		UNITS: mm	VERSION: A	MTP OPTICAL CABLE
			SURFACE TEXTURE		SCALE: 1:1	DATE: 2010/12/1	
			TOLERANCES ARE:		PAGE: 1/1	DRAWING BY: Sunny	SFCABLE.COM
			[.X] =		MATERIAL	CHECK BY:	
REV	DESCRIPTION	DATE	[.XX] =			APPROVE BY: Huangzz	
			[.XXX] =				