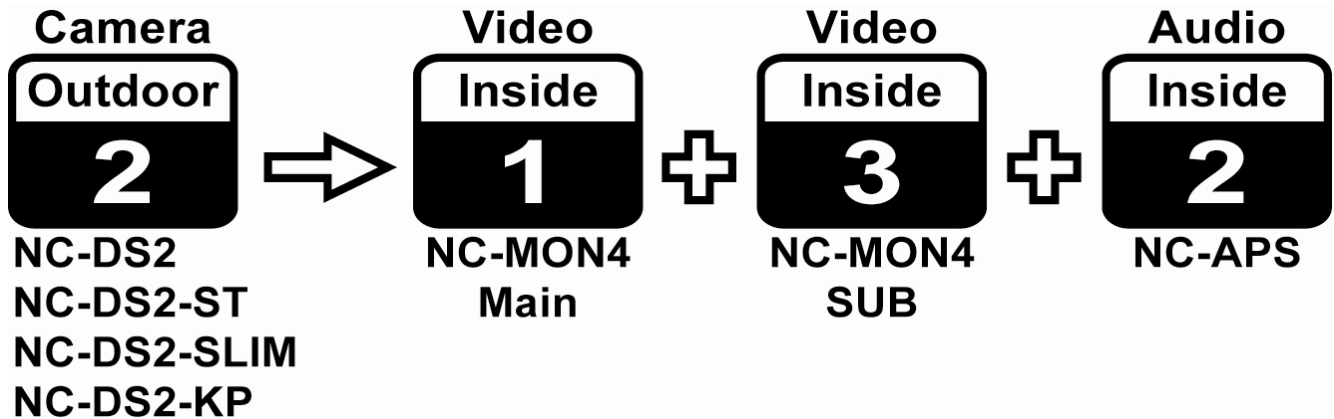


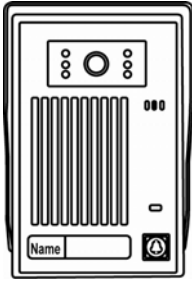




Operation and Installation Manual

Color IR Camera & Video Intercom System - 24 Series



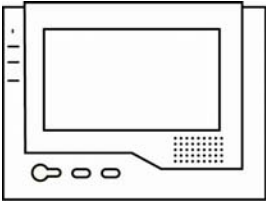
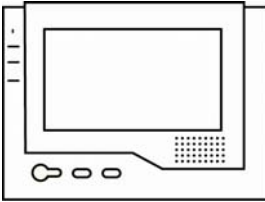


Color IR Camera Outdoor Stations: Max. 

	Standard	Slim Type	With Keypad
			
NC-DS2	NC-DS2-ST	NC-DS2-SLIM	NC-DS2-KP
5.91"(W) x 9.06"(H) x 1.69"(D) Recessed	3.54"(W) x 5.12"(H) x 1.69"(D) Surface	2.17"(W) x 5.12"(H) x 1.54"(D) Surface	2.95"(W) x 7.48"(H) x 1.77"(D) Surface

Color Monitor Inside Stations:

Inside Audio Station:

	
Main Monitor	Sub Monitor
	
NC-MON4	NC-MON4-SUB
9.45"(W) x 6.89"(H) x 1.5"(D) Surface	9.45"(W) x 6.89"(H) x 1.5"(D) Surface



Audio Phone Set



NC-APS

3.0"(W) x 9.06"(H) x 2.31"(D)
Surface

⚠ Please read the Operational Manual before attempting to use this product. AAS is an affiliate of Sentry US.

Index

Features	2
Video Camera Intercom System Configuration Diagram	3
Color IR Camera Outdoor Station Parts & Functions.....	3
Color Monitor Inside Station Parts & Functions.....	5
Audio Phone Set Parts & Functions	6
Wiring Connection System Diagram	6
Installation	7-8
Operation	9-10
Code Access for NC-DS2-KP	10-11
Specifications	11-12
List of Components	12-13

24 Series Features

Color IR Camera Outdoor Stations:

NC-DS2

- 1/3" CCD; 420 TVL; 0.05 Lux
- 120 sec Communication Duration
- Duplex Communication Type
- Recessed Mounting
- IP55 Rating; 12V~14.5V DC, 200mA
- 5.91" x 9.06" x 1.69"
175mm x 230mm x 43mm

NC-DS2-ST

- 1/3" CCD; 420 TVL; 0.05 Lux
- 3.6mm Lens
- Hands-free Talking
- 120 sec Communication Duration
- Duplex Communication Type
- Surface Mounting
- IP55 Rating; 12V~14.5V DC, 100mA
- 3.54" x 5.12" x 1.69"
90mm x 130mm x 43mm

NC-DS2-SLIM

- 1/3" CCD; 420 TVL; 0.05 Lux
- 3.6mm Lens
- Hands-free Talking
- 120 sec Communication Duration
- Duplex Communication Type
- Surface Mounting
- IP55 Rating; 12V~14.5V DC, 100mA
- 2.17" x 5.12" x 1.54"
55mm x 130mm x 39mm

NC-DS2-KP (code only)

- 1/3" CCD; 420 TVL; 0.05 Lux
- 3.6mm Lens
- Hands-free Talking
- 120 sec Communication Duration
- Duplex Communication Type
- Personal Password Door Release
- Surface Mounting
- IP55 Rating; 12V~14.5V DC, 100mA
- 2.95" x 7.48" x 1.77"
75mm x 190mm x 45mm

Color Monitor Inside Stations:

NC-MON4 - Main

- 7" Screen
- 2 min. Talking Time
- Dual Transmission Mode
- Surface Mounting
- 12V~14.5V DC, 800mA, 50/60Hz
- Stand by 50mA
- 9.45" x 6.89" x 1.5"
240mm x 175mm x 38mm

NC-MON4-SUB

- 7" Screen
- 2 min. Talking Time
- Dual Transmission Mode
- Surface Mounting
- 12V~14.5V DC, 700mA, 50/60Hz
- Stand by 70mA
- 9.45" x 6.89" x 1.5"
240mm x 175mm x 38mm

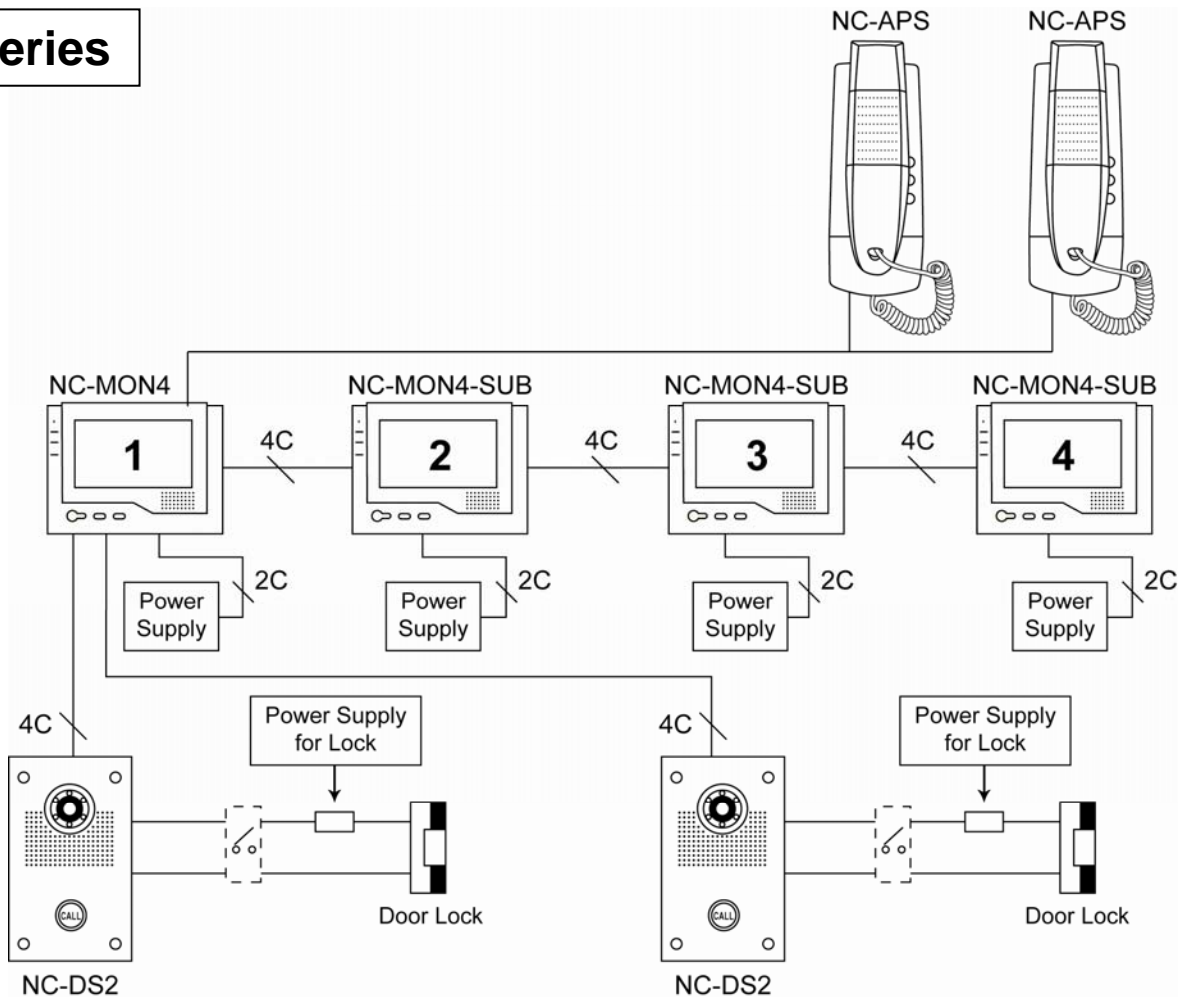
Inside Audio Station:

NC-APS

- Surface Mounting
- 12V~14.5V DC
- 3.0" x 9.06" x 2.31"
76mm x 230mm x 58mm

Video Camera Intercom System Configuration Diagram

24 Series

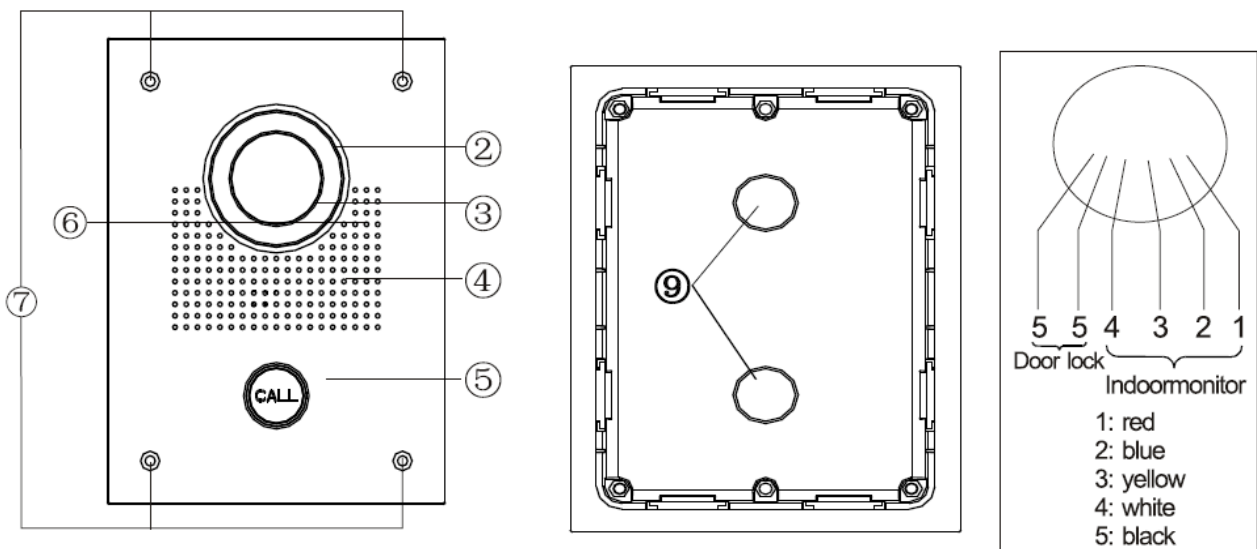


*Power supply sold separately.

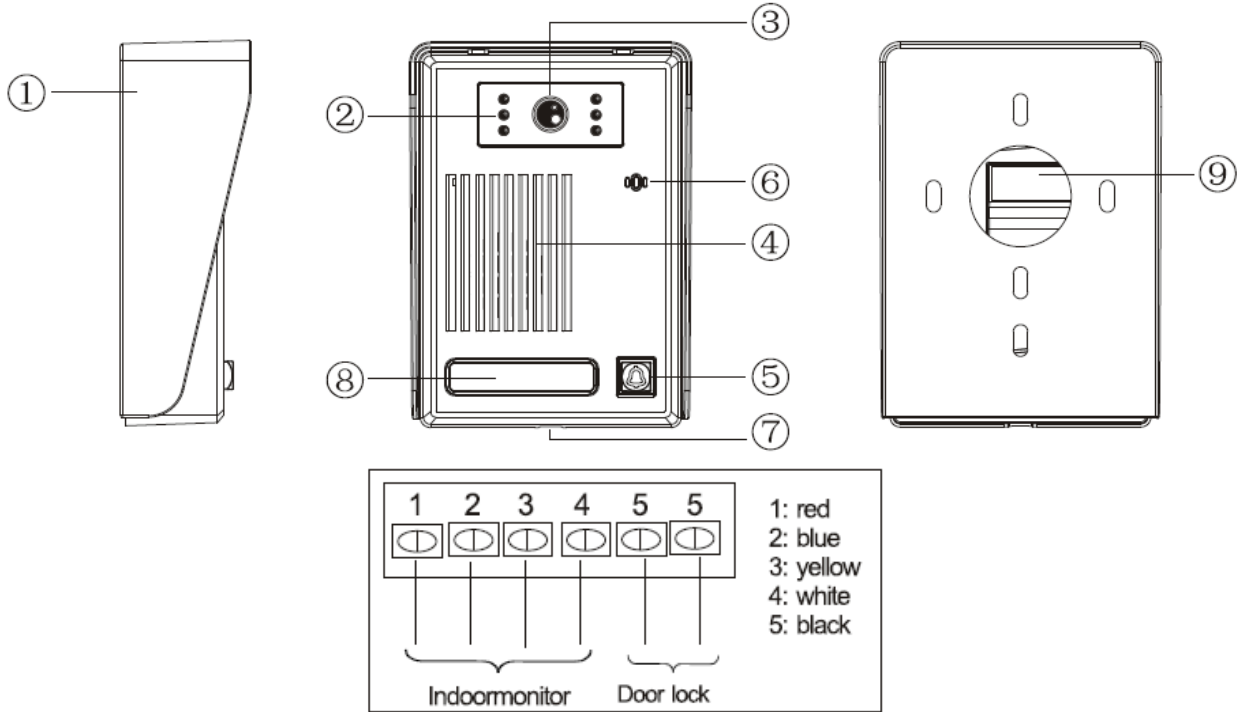
Color IR Camera Outdoor Station Parts & Functions

No.	Name	Description
1	Water Cover	Protect the camera from outside water
2	LED Assistant	Provide lighting during night time for better visibility
3	CCD Camera	Capture the image to send to the monitor
4	Speaker	Sound from the monitor is delivered
5	Calling Button	Call the indoor phone to communicate
6	Microphone	Delivers and sound voice when communication with the indoor phone
7	Screw Hole	Install the screws
8	Name Plate	Show residential name
9	Connection Wiring	Connection with the monitor

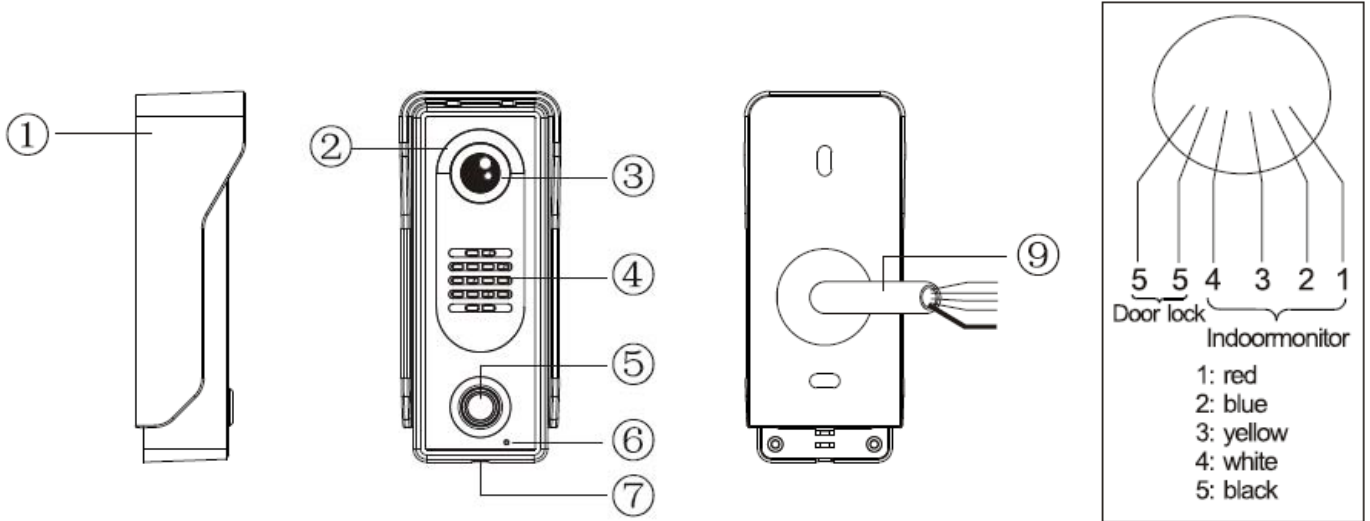
NC-DS2



NC-DS2-ST



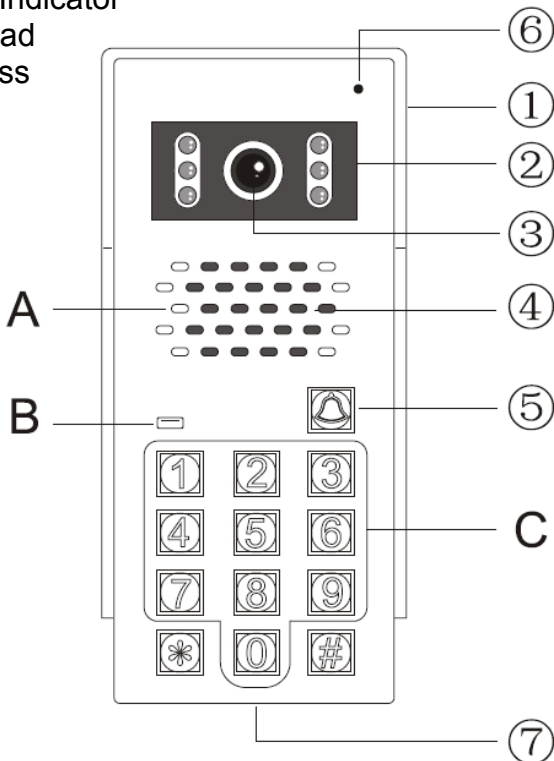
NC-DS2-SLIM



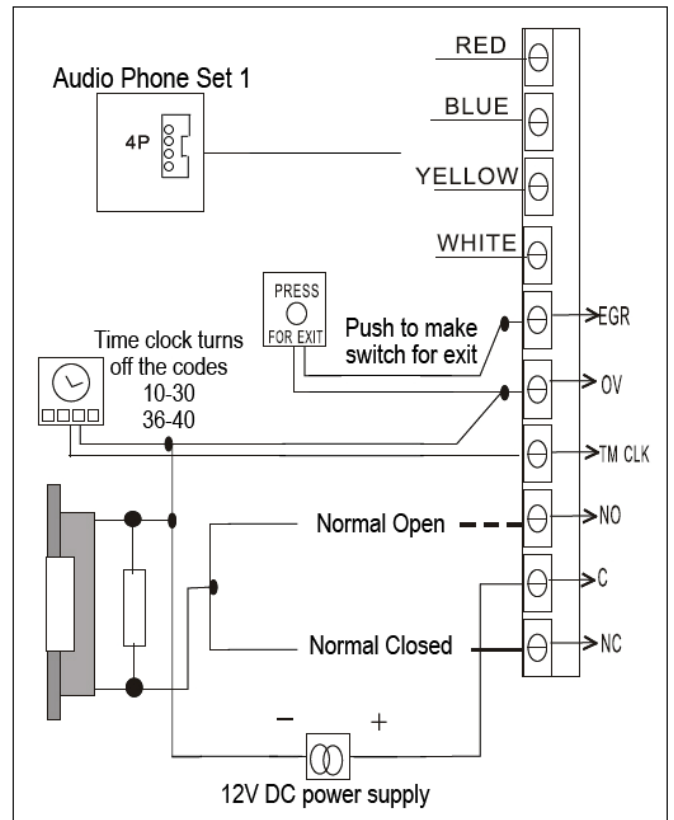
NC-DS2-KP

Additional:

- A. Light Sensor
- B. LED Indicator
- C. Keypad Access

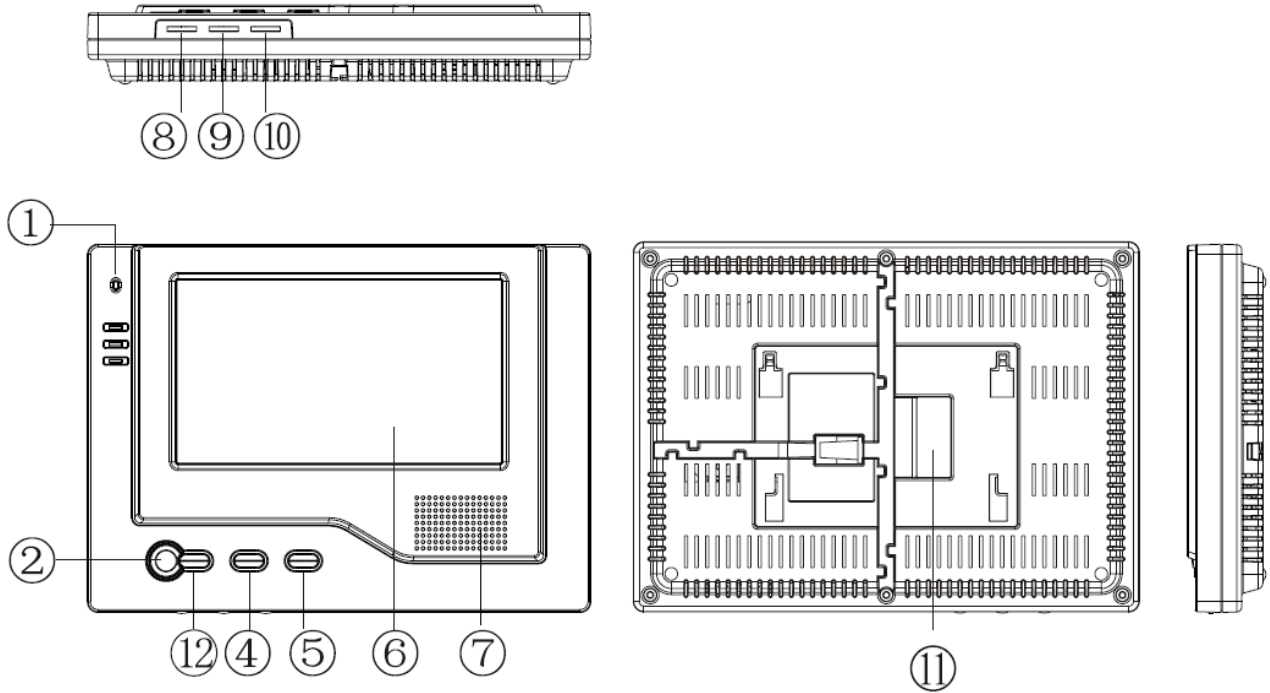


* Pass Code



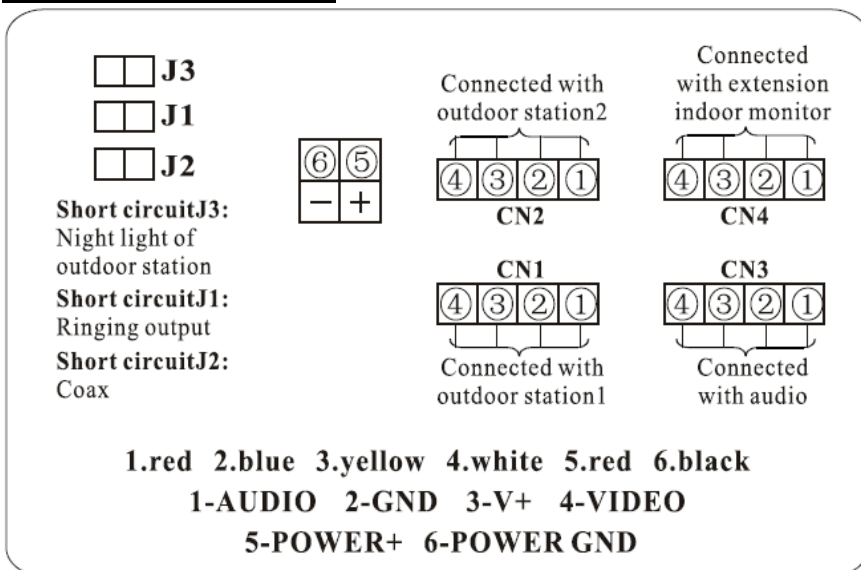
Color Monitor Inside Station Parts & Functions

NC-MON4 & NC-MON4-SUB

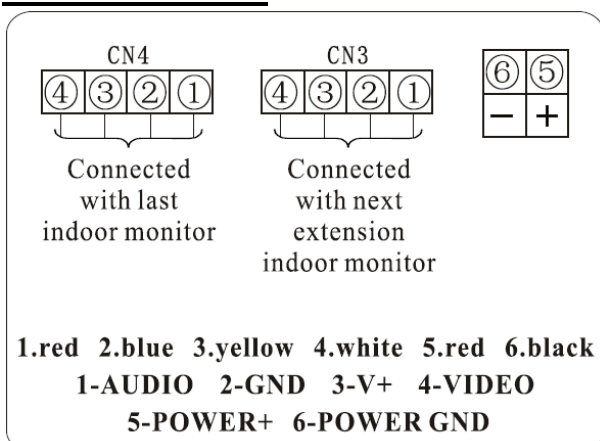


No.	Icon	Description	No.	Icon	Description
1		Microphone	7		Speaker
2		Monitor	8		Talking Volume
3		Hang Off	9		Brightness
4		Door Lock Releasing	10		Chrome/Contrast
5		Talking	11		System Terminal
6		TFT Display/CRT	12		Calling

NC-MON4 - Main

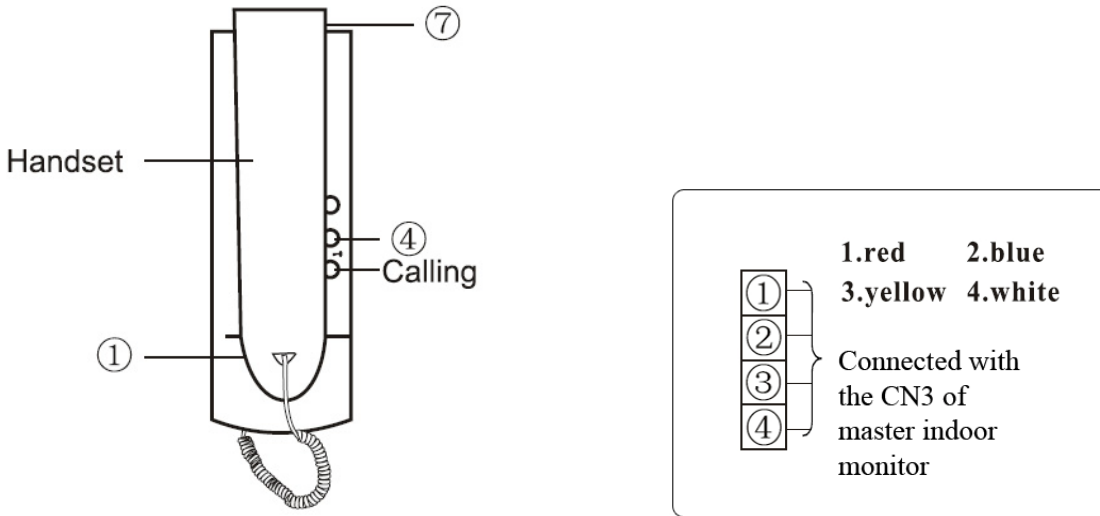


NC-MON4-SUB

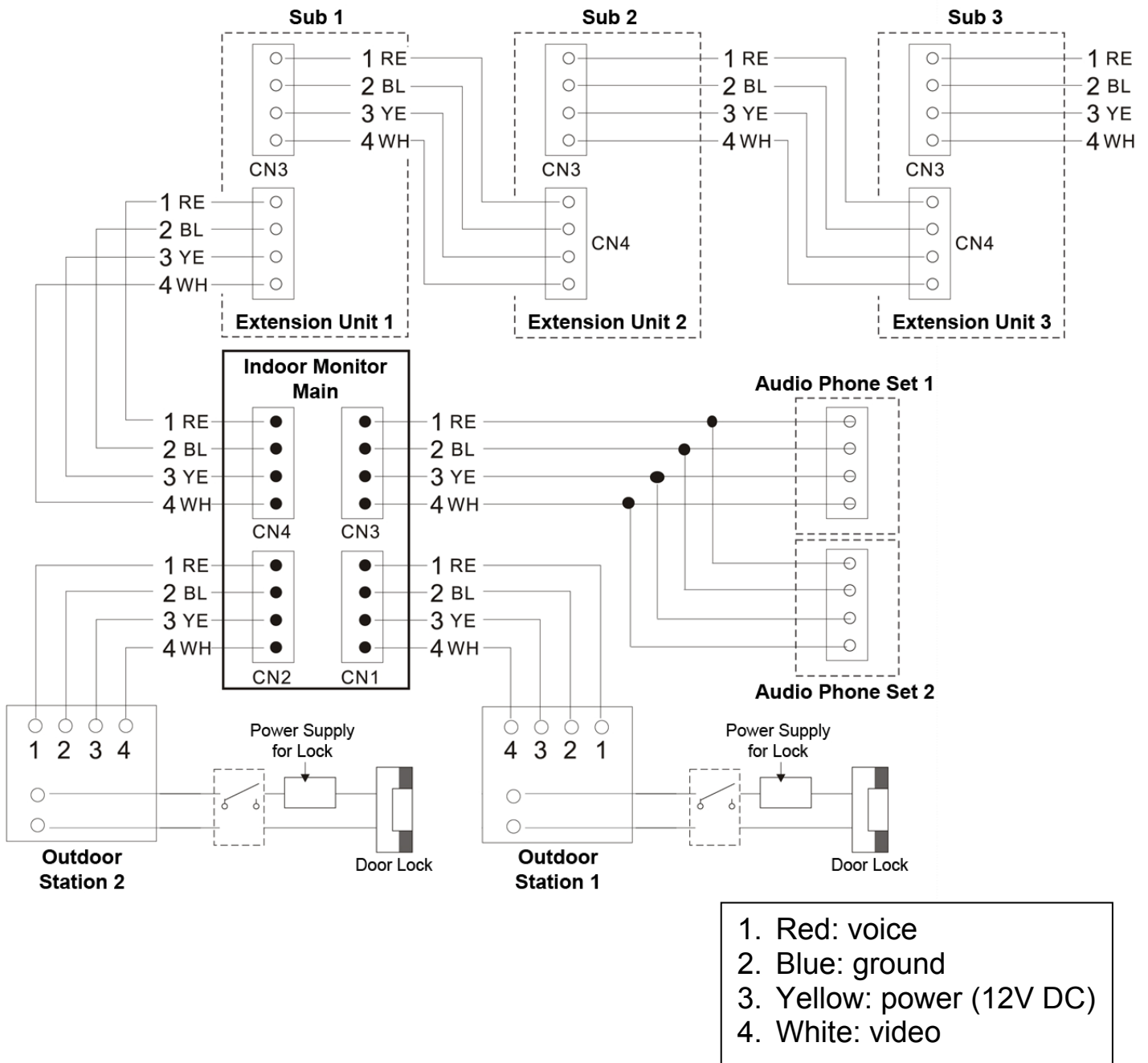


Audio Phone Set Parts & Functions

NC-APS



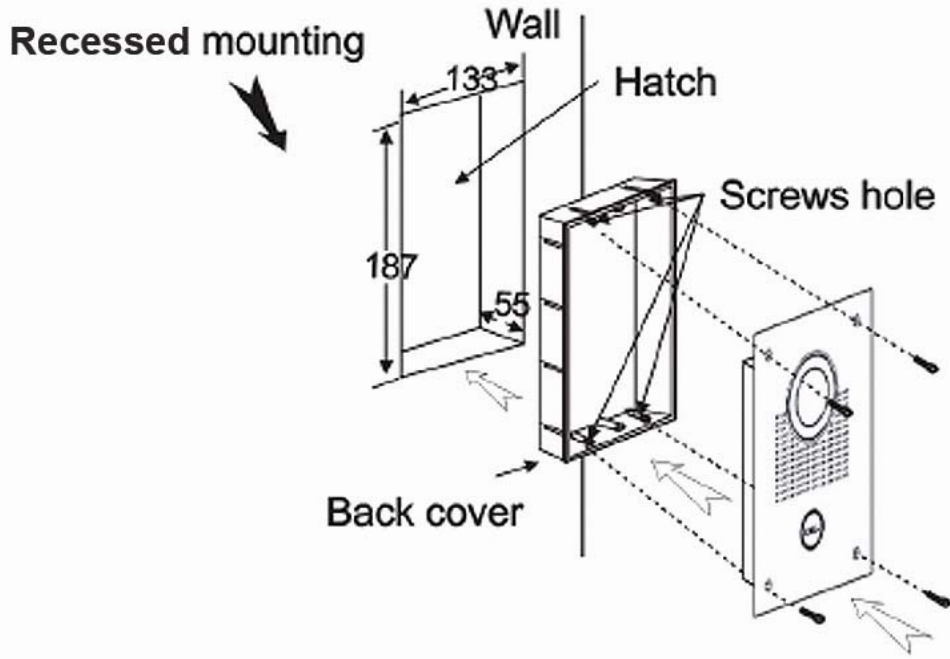
Wiring Connection System Diagram



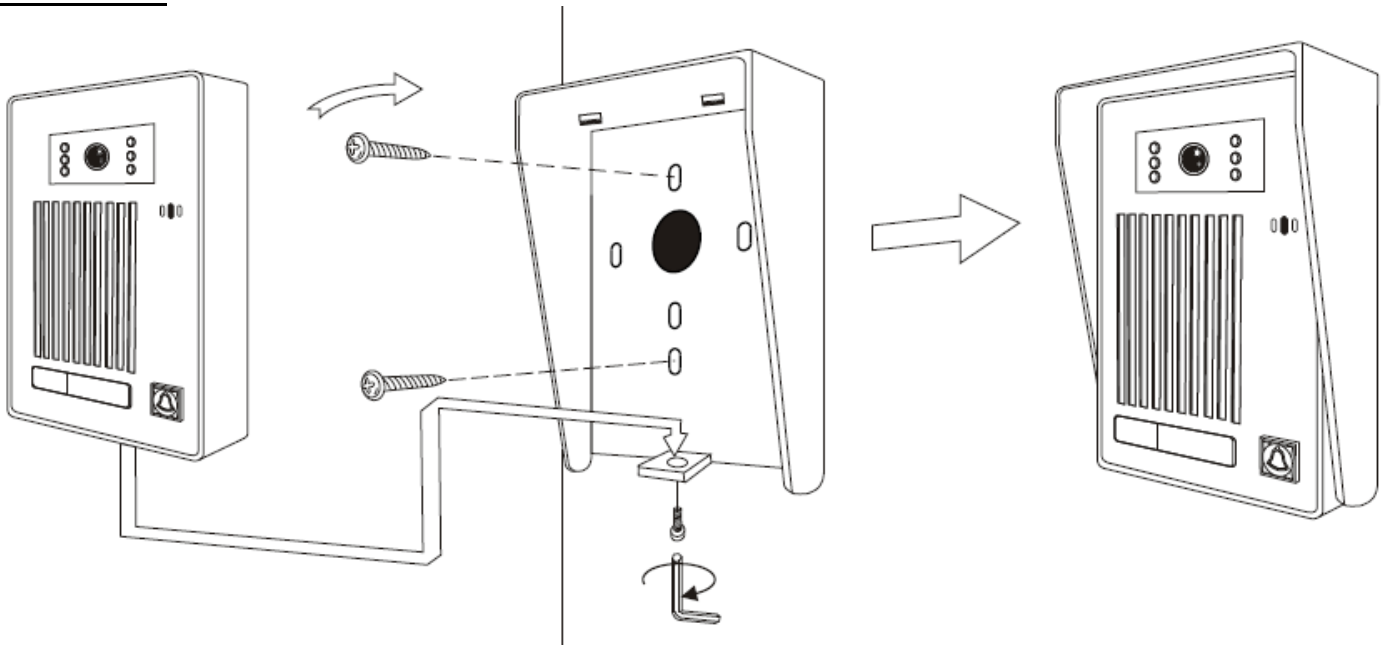
Note: Socket CN1 is just retained for outdoor station in alone system (like as an outdoor unit is matched with an indoor unit). Please recheck the polarity of CN1 and have the 4-wire connected as per the enclosed label.

Installation

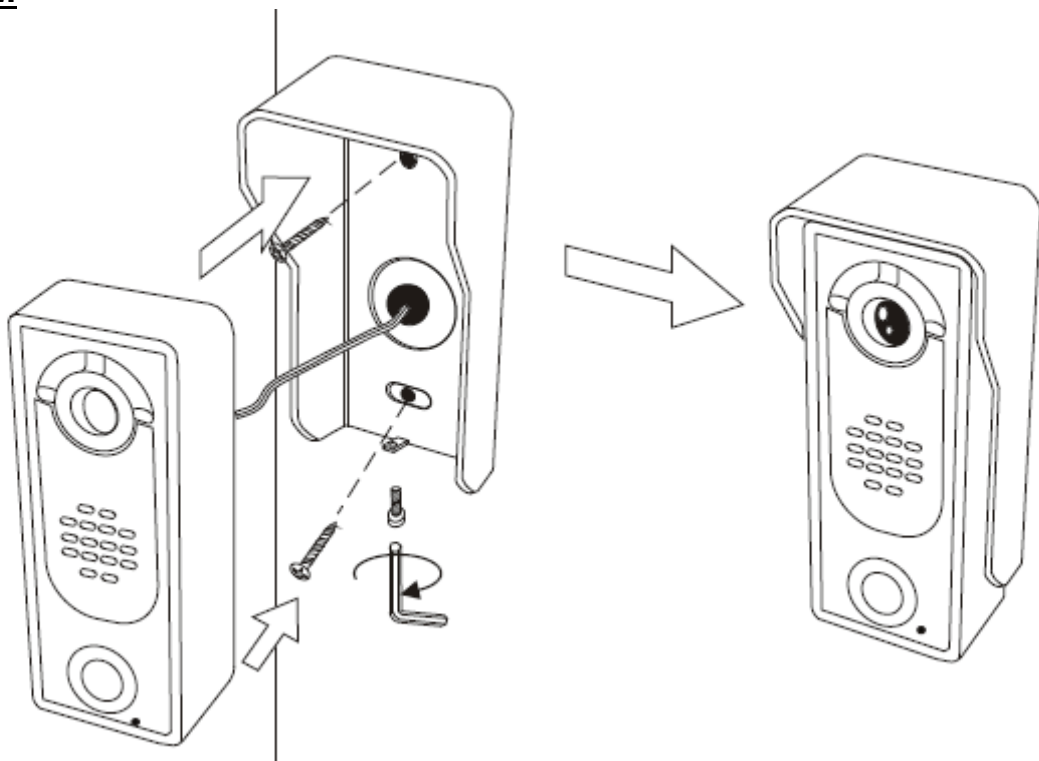
NC-DS2



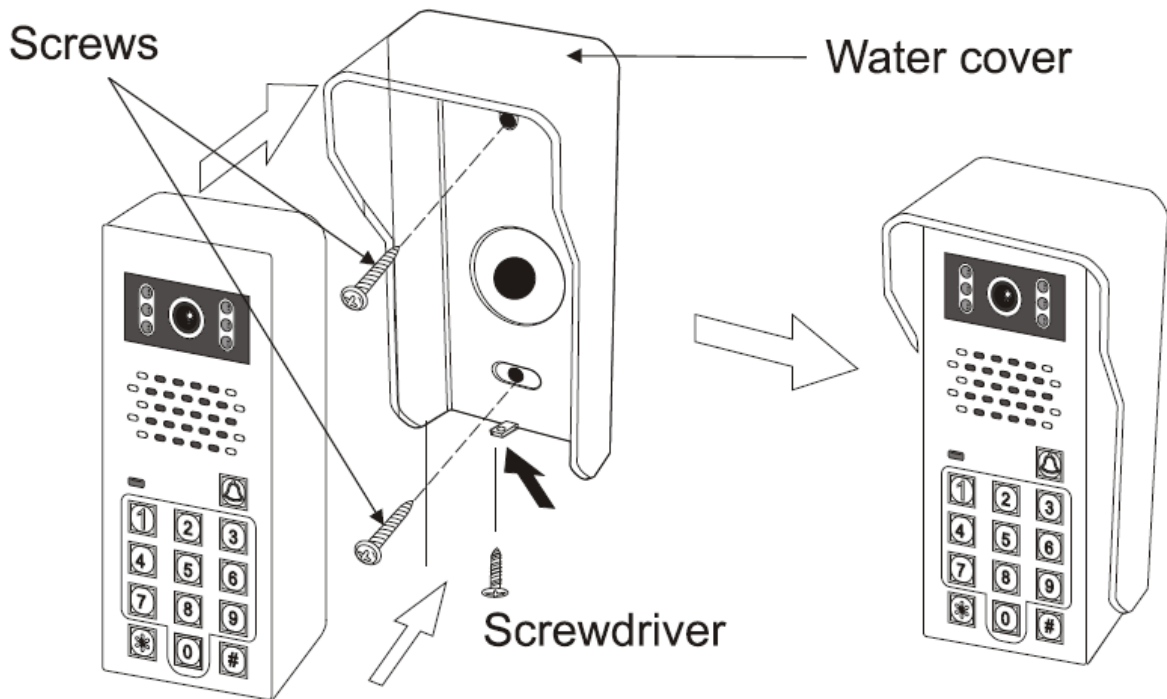
NC-DS2-ST



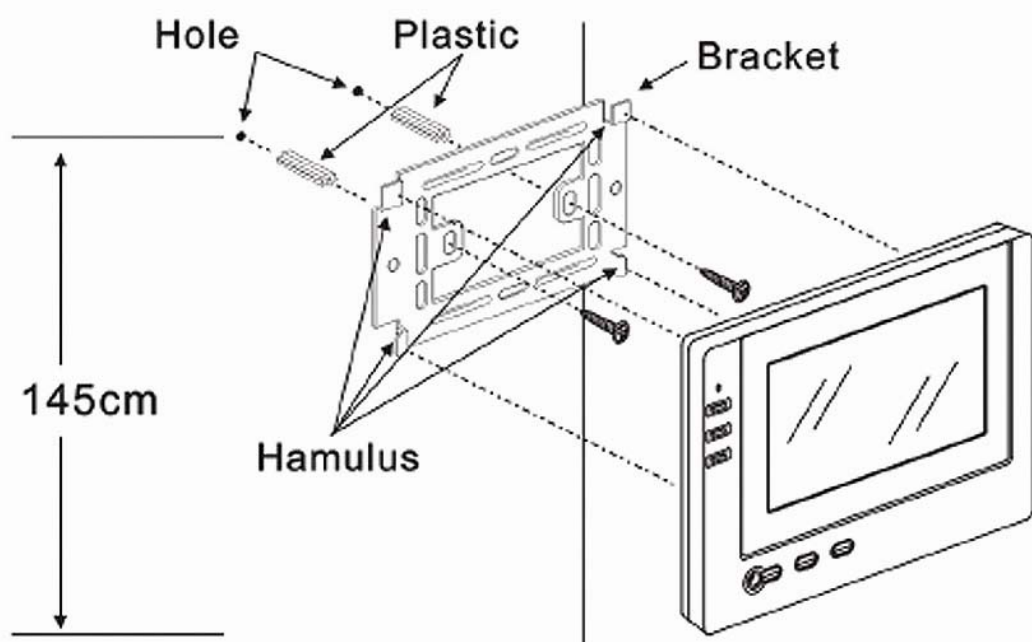
NC-DS2-SLIM



NC-DS2-KP



NC-MON4 & NC-MON4-SUB

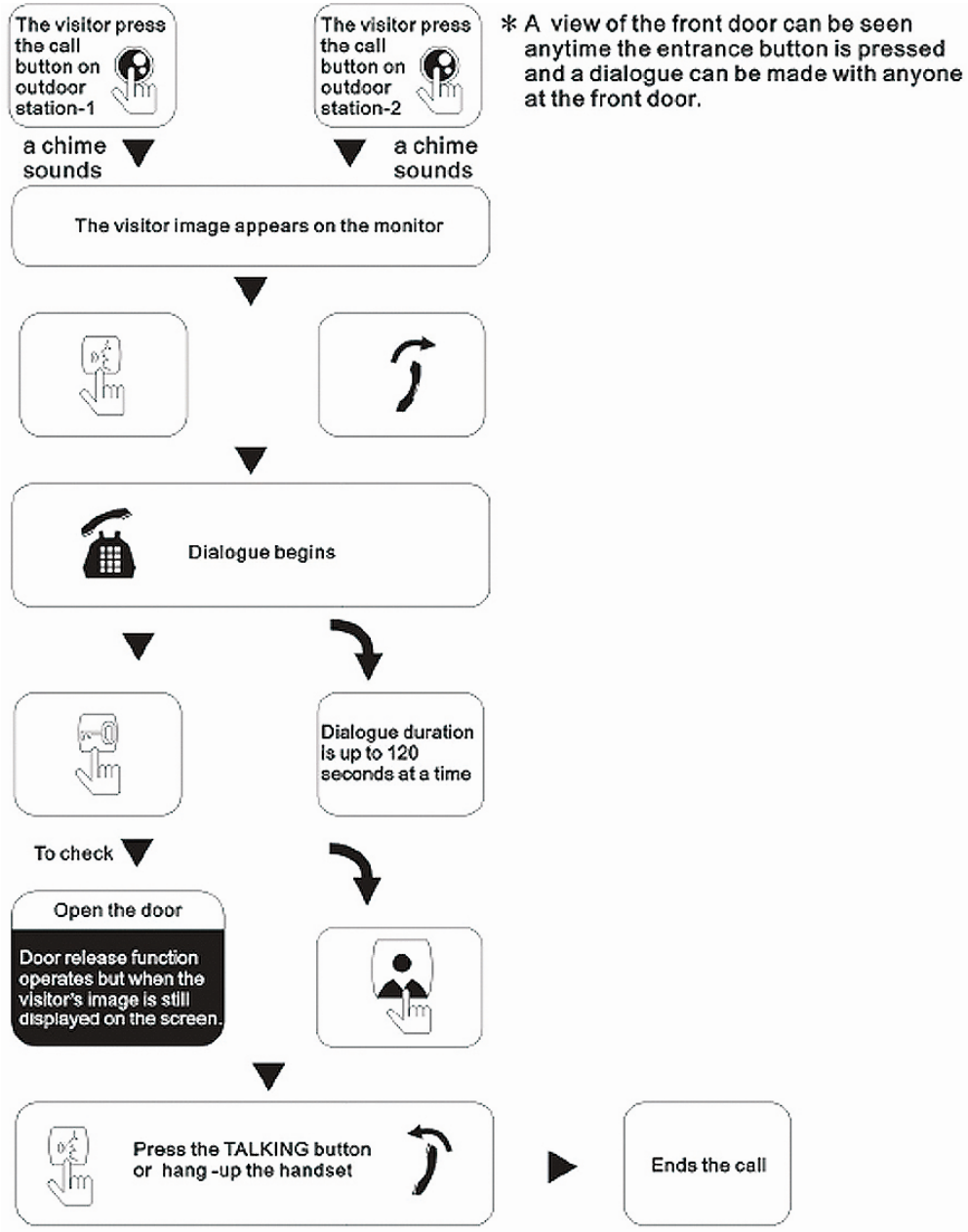


Instructions:

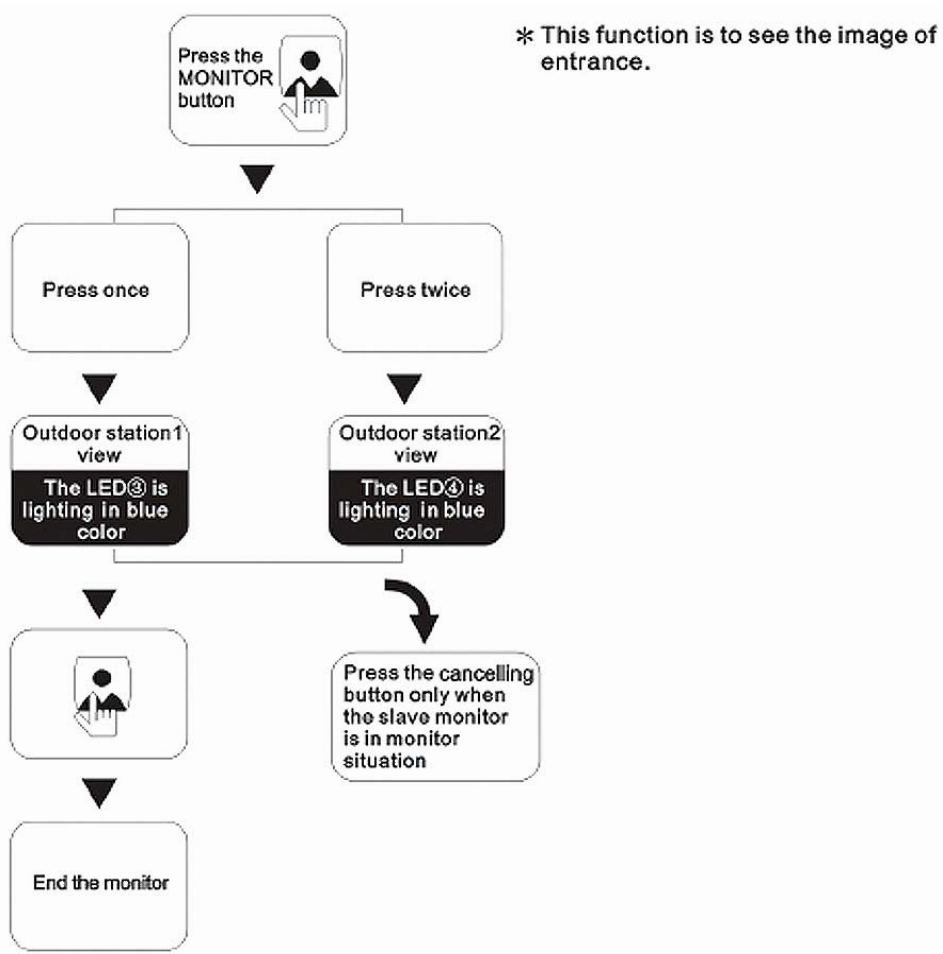
1. System Cable: Non-STP core cable, wire $\geq 0.5\text{mm}^2$, from Outdoor Station to the farthest monitor $\leq 200\text{ft} / 70\text{m}$.
2. Each monitor should be paralleled. One Main monitor can extend up to 3 Sub monitors. One Main monitor can connect to a maximum of 2 Outdoor Stations.
3. The handset monitor only has 2 function buttons.
4. Each Video Door Phone is 12V DC~14.5V DC / 1.3A.

Operation

1. Visitor Call



2. Monitor



3. Communication Among The Optional Monitors & Audio

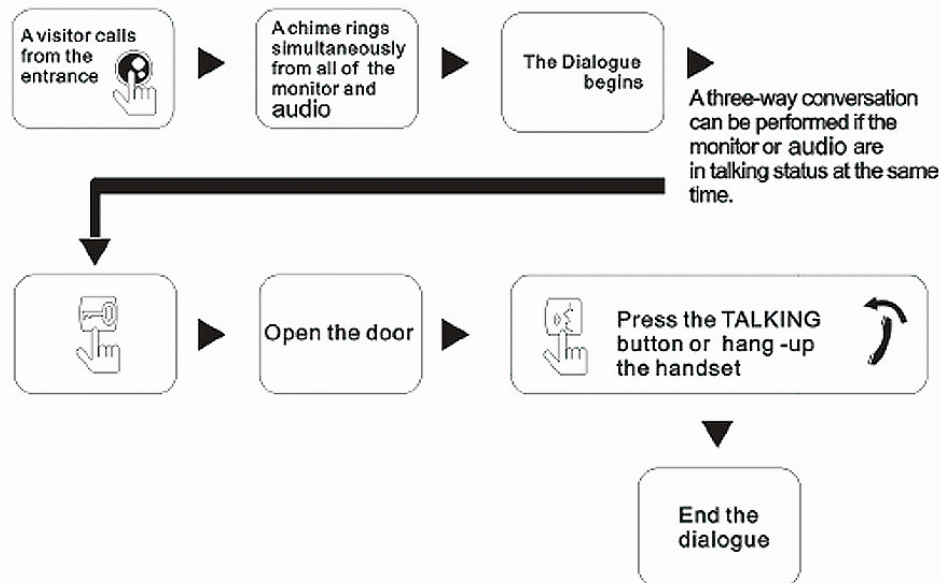
■ Call from the master monitor



■ Call to master monitor from the audio



■ Conversation among the monitors and outdoor station



* Dialogue among the monitors , outdoor station and audio is possible only when the image of visitor is displayed on the monitor screen.

Code Access for NC-DS2-KP

The original factory defaulted Programming / Master Code is 1234. Input a 4 digit password to have the door striked or the lock unlocked.

Change the Master Code

1. Shut down the power of the unit by pressing down and holding the * button.
2. Press the * button again to turn on the unit; a long continuous tone will sound.
3. When the tone stops, another tone will beep. Enter the new 4 digit Master Code.

Entering Programming Mode

1. Press the * button plus enter your 4 digit Master Code.
2. You have successfully entered the programming mode when the unit beeps three sounds and the LED is flashing.
3. Press the * button to quit.

Set the Unlocking Time

Factory default setting is 5 seconds.

1. Enter programming mode.
2. Enter 00 (this is a special code group); the unit will beep two “Di Di” sounds as a reminder.
3. Enter a 2 digit desired lock/delay operation time (01 to 99 seconds).
4. Press the * button to exit.

Add User Codes

1. Enter programming mode.
2. There are 40 group codes to choose from: 01 to 40. It should be inputted in front of the 4 digit codes from 31 to 40 group codes. Input once 4 digit codes to open the door for a long time until twice the same code to have it closed.
3. Input the 4 digit code. If the unit beeps two sounds, it is unsuccessful. If it beeps three sounds, then the User Code is successfully set.
4. Press the * button to quit.

Delete User Codes

1. Enter programming mode.
2. Enter one of the code groups from 01 to 40.
3. Press the # button to delete the codes of which position you just inputted.
E.g. input 01, means delete the codes on the position 01
4. The code is successfully deleted when the unit beeps three “Di Di” sounds as a reminder.
5. Press the * button to quit.

Delete a Code Directly

1. Enter programming mode.
2. Press the # button; the unit will beep two “Di Di” sounds as a reminder.
3. Input the 4 digit code that you want to delete.
4. It is successfully deleted after the unit beeps three sounds.
5. Press the * button to quit.

Delete All Settings

1. Enter programming mode.
2. Press the # button and the unit will beep two “Di Di” sounds as a reminder.
3. Press the # button again and two additional beeps will sound.
4. Continuously press the # button seven times to delete all settings. Unlocking time turns to one second. The Admin Codes are same as before. After 5 seconds, all settings will set back to default.
5. Press the * button to quit.

* NC-DS2-KP works with code only. No EM Card.

Specifications

	Color IR Camera Outdoor Station			
Type	Standard	Standard	Slim	With Keypad
Model	NC-DS2	NC-DS2-ST	NC-DS2-SLIM	NC-DS2-KP
Power	12V ~ 14.5V DC			
Electric Current	Working ≤ 200mA			
Image	1/3" CCD; 420 TV Lines			
Camera Lens	72 degree ken; 3.6mm Lens			
Illumination	0.05 Lux			
Communication Duration	120 sec			
Communication Method	Duplex communication type			
Working Temperature	-4°F ~ 131°F / -20°C ~ 55°C			
IP Rating	IP55			
Mounting Type	Recessed	Surface	Surface	Surface
Dimension	9.06" x 5.91" x 1.69" 230 x 150 x 43 mm	3.54" x 5.12" x 1.69" 90 x 130 x 43 mm	2.17" x 5.12" x 1.54" 55 x 130 x 39 mm	2.95" x 7.48" x 1.77" 75 x 190 x 45 mm

*Specifications are subject to change without notice

	7" Color Monitor Inside Station	
Model	NC-MON4	NC-MON4-SUB
Type	Main Monitor	Sub Monitor
Screen Size	7"	
Voltage	12V ~14.5V DC, 50/60Hz	
Stand by	50mA	
Mode	Dual Transmission	
Working Current	800mA	
Talk Time	2 min	
Working Temperature	14°F ~ 131°F / -10°C ~ 55°C	
Mounting Type	Surface	
Dimension	9.45" x 6.89" x 1.5" / 240mm x 175mm x 38mm	

*Specifications are subject to change without notice

	Audio Phone Set	
Model	NC-APS	
Voltage	12V~14.5V DC	
Stand by	70mA	
Working Current	100mA	
Mounting Type	Surface	
Dimension	3.0" x 9.06" x 2.31" / 76 x 230 x 58 mm	

*Specifications are subject to change without notice

FC CE RoHS

List of Components

NC-DS2



- One (1) NC-DS2
 - One (1) Flush Mounting Back Cover
 - Four (4) Long Mounting Screws
 - One (1) Allen Wrench
 - One (1) Manual

NC-DS2-ST



- One (1) NC-DS2 -ST
 - Three (3) Short Mounting Screws
 - Three (3) Wall Anchors
 - One (1) Allen Wrench
 - One (1) Manual

NC-DS2-SLIM



- One (1) NC-DS2 -SLIM
 - Two (2) Short Mounting Screws
 - Two (2) Wall Anchors
 - One (1) Manual

NC-DS2-KP



- One (1) NC-DS2 -KP
 - Three (3) Short Mounting Screws
 - Three (3) Wall Anchors
 - One (1) Allen Wrench
 - One (1) Manual

NC-MON4



- One (1) NC-MON4
 - One (1) Metal Mounting Bracket
 - Two (2) Short Mounting Screws
 - Two (2) Wall Anchors
 - One (1) Power Connector Cable
 - Four (4) 4-wire Connector Cables
 - One (1) Manual

NC-MON4-SUB



- One (1) NC-MON4
 - One (1) Metal Mounting Bracket
 - Two (2) Short Mounting Screws
 - Two (2) Wall Anchors
 - One (1) Power Connector Cable
 - Two (2) 4-wire Connector Cables
 - One (1) Manual

NC-APS



- One (1) NC-APS
 - One (1) Mounting Plate
 - Two (2) Short Mounting Screws
 - Two (2) Wall Anchors
 - One (1) 4-wire Connector Cables
 - One (1) Manual

*For any returns, please include all components listed above with original packaging in **Resalable Condition**. **Absolutely No Returns** will be accepted if any component is missing/damaged.



⚠ Caution :

- Do not connect this device to any power source other than what is supplied.
- Do not handle the unit with wet hands.
- The unit is not waterproof.

Options

A. Electric Door Strikes for Metal Door



- Jaw Strength: 2000 lbs
- 12V DC

B. Electric Door Strikes for Wood Door



- Jaw Strength: 2000 lbs
- 12V DC

C. Buzzer

- 5V~14V DC

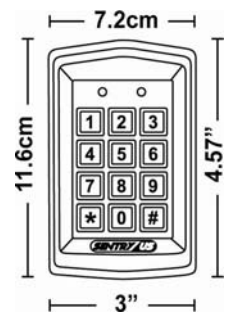
Buzzer Connection:

1. Connect the buzzer positive (+) to lock strike positive (+)
2. Connect the buzzer negative (-) to power negative (-)



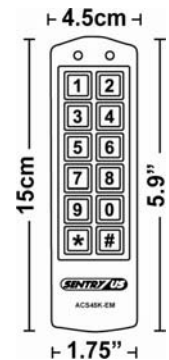
**Stand-Alone Access Control Keypad
w/ Built-in EM/125KHz Reader**

ACSK-EM
Outdoor IP-65
12V~15V DC



**Stand-Alone Access Control Slim Type Keypad
w/ Built-in EM/125KHz Reader**

ACS45K-EM
Outdoor IP-65
12V~15V DC



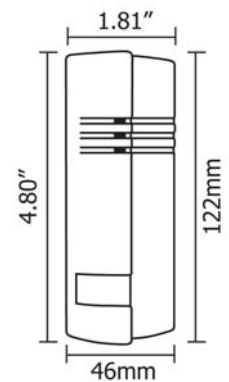
Access Control Readers

Proximity ID Reader

ACR-EM26SA
125 kHz, 9V~15V DC
Wiegand 26, IP-65
Current: 35mA/avg, 100mA/peak

Mifare IC Reader

ACR-MF26SA
13.56 MHz, 9V~15V DC
Wiegand 26, IP-65
Current: 35mA/avg, 100mA/peak

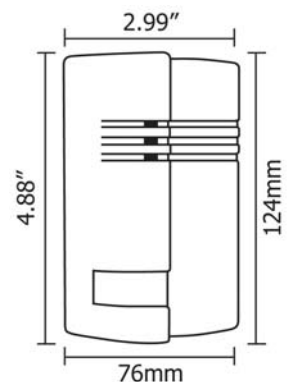


Proximity ID Reader

ACR-EM26STA
125 kHz, 9V~15V DC
Wiegand 26, IP-65
Current: 35mA/avg, 100mA/peak

Mifare IC Reader

ACR-MF26STA
13.56 MHz, 9V~15V DC
Wiegand 26, IP-65
Current: 35mA/avg, 100mA/peak

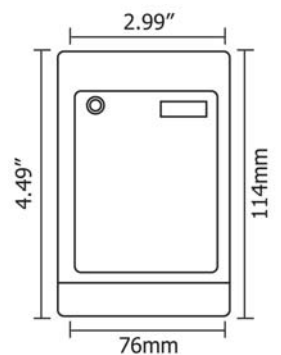


Proximity ID Reader

ACR-EM26STB
125 kHz, 9V~15V DC
Wiegand 26, IP-65
Current: 35mA/avg, 100mA/peak

Mifare IC Reader

ACR-MF26STB
13.56 MHz, 9V~15V DC
Wiegand 26, IP-65
Current: 35mA/avg, 100mA/peak

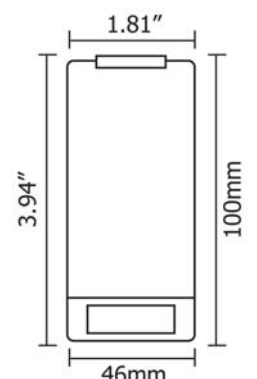


Proximity ID Reader

ACR-EM26STC
125 kHz, 9V~15V DC
Wiegand 26, IP-65
Current: 35mA/avg, 100mA/peak

Mifare IC Reader

ACR-MF26STC
13.56 MHz, 9V~15V DC
Wiegand 26, IP-65
Current: 35mA/avg, 100mA/peak



Proximity ISO ID Card

ACC-EMI
125 kHz
ISO Printable



Proximity Clamshell ID Card

ACC-EMC
125 kHz
Non-Printable



Mifare 1K ISO Card

ACC-MFI
13.56 MHz
ISO Printable
Also available for 4K



RFID EM Key Tag

ACC-EMTAG-G
125 kHz
Color: Gray

RFID EM Key Tag

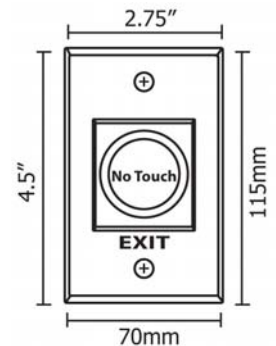
ACC-EMTAG-B
125 kHz
Color: Blue



Accessories

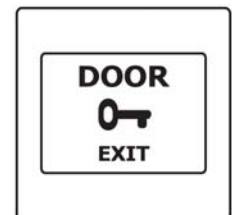
No Touch Door Release Exit Sensor

ACA-NTEB
Sensing Range: 5~10cm
IR Technology Senses Motion
12V DC



Exit Door Release Button

ACA-EB





www.SentryUS.com



www.ZRFID.com

**Additional Technology Security Inc.
dba: Sentry US**

**5500 Stewart Avenue
Fremont, CA 94538
E-mail: info@SentryUS.com
Tel: 1-800-916-8783
International: 510-279-9992**

**ZRFID is an affiliate of Sentry US
Specialized in Access Control Products**