

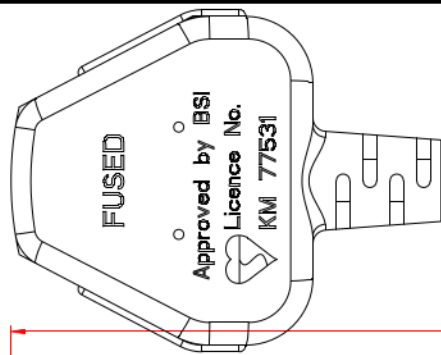
P1: M-015C

P2: M-005

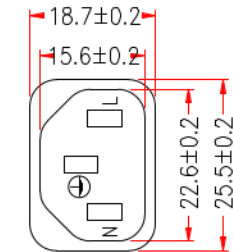
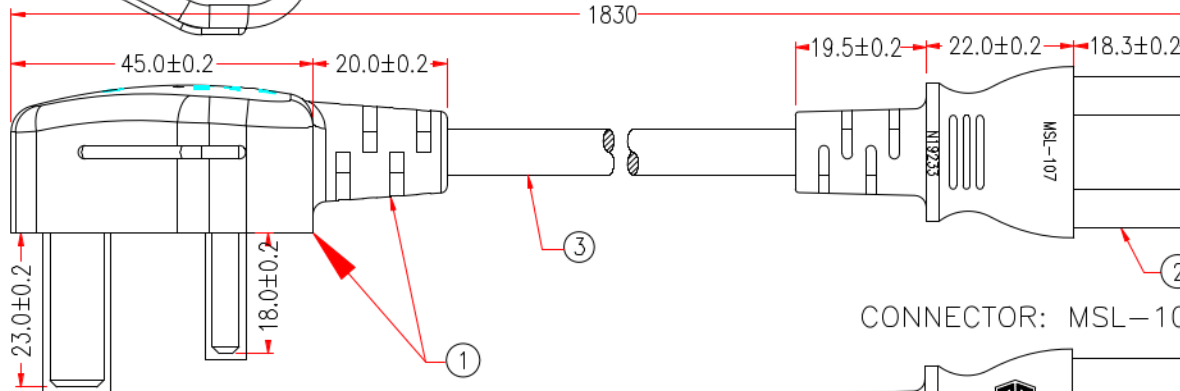
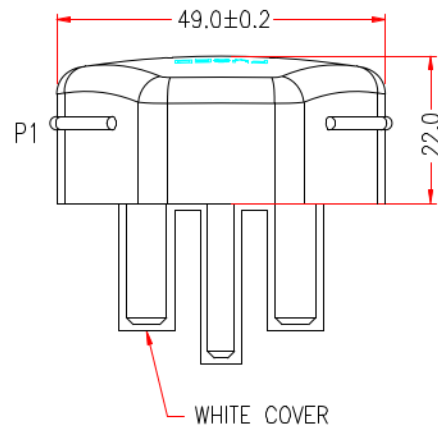
Customer No.: No.1 10W1-12206-UK

FUSE:

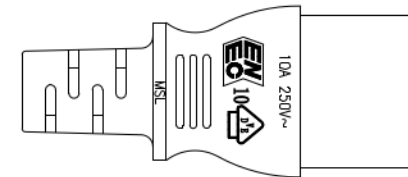
LOGO	FUSE
	13A



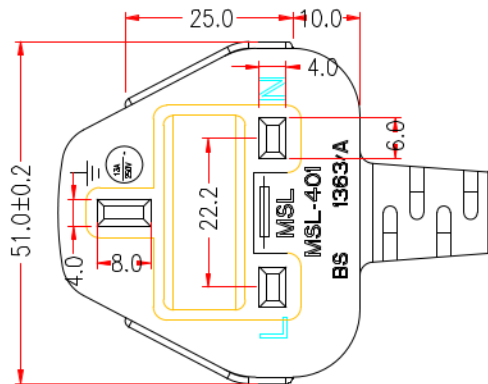
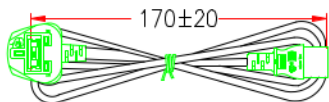
P2:



CONNECTOR: MSL-107



PACKING:



PLUG: MSL-402

MARKING:

H05VV-F 3G 0.75mm² (D) (S) (N) (FI) (OVE) KEMA-KEUR IEMMEQU <VDE> (E)
N20050 G TSA-3 3G 0.75mm² MSL

	P1	P2
BROWN	L _____ L	L
BLUE	N _____ N	N
GREEN/YELLOW	E _____ E	E

* NOTE: All relevant materials are complied with RoHS directive .

1 pcs in a polybag, 10pcs in a big polybag, and 80 pcs in a box

No.	DESCRIPTION	Q'TY	Supplier
3	H05W-F 3G 0.75mm ² G TSA-3, OD 6.8mm, JACKET BLACK, DRAWING No. EPH5V0107503C-004	1810mm	M304
2	MOLDED PVC 45P, COLOR BLACK		M304
	BRACKET: YS-003	1	M767
	TERMINAL: 2*4mm 98744BS-0/A	3	M257
1	MOLDED PVC 45P, COLOR BLACK		M304
	FUSE: 13A	1	M934
	PLUG BRACKET AND TERMINAL A PIECE TYPE: M88051BL-1B/5	1set	M257

APPROVED			Unless Otherwise SPEC. Tolerances: 0. _____ ±0.5 .0 _____ ±0.3 .00 _____ ±0.1		
CHECKED	HU	01/FEB/16		DRAWN NAME	POWER SUPPLY CORDS & CORDS SETS
DRAWING	JIANG	01/FEB/16		PRODUCT NO.	P-06B-UK

REV.1 2011.11.17 MODIFY P2 MODEL WORD REV.2 2016.02.01 MODIFY P1 PLUG
NOTE: Cable Length Unless Otherwise Spec. Tolerances: Under 6FT ±25mm; Another ±50mm

UNIT: mm