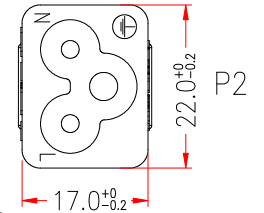
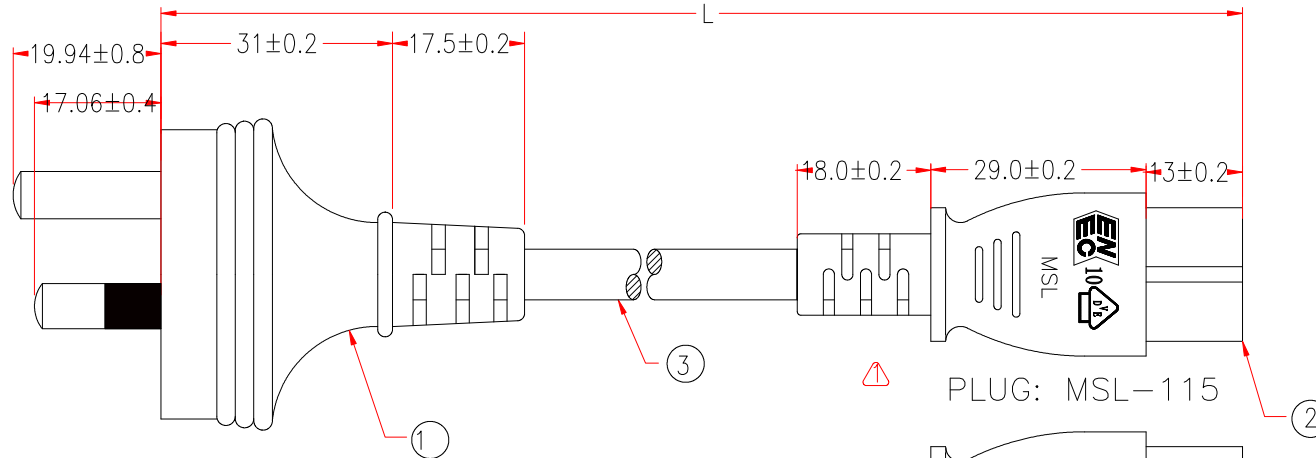
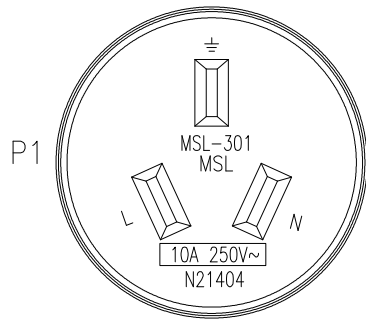


P1: M-014

P2: M-028C

Customer No.: No.4



PLUG: MSL-301

PLUG: MSL-115

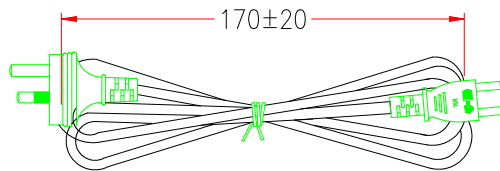
MARKING:

H05VV-F 3G 0.75mm² ⓓ Ⓢ Ⓝ ⓕ Ⓜ Ⓜ Ⓜ KEMA-KEUR Ⓜ Ⓜ Ⓜ IEMMEQU <VDE> Ⓜ Ⓜ Ⓜ
 N20050 GTSA-3 3G 0.75mm² MSL

⚠ P1: N21404

⚠ P2:

* NOTE: All relevant materials are complied with RoHS directive .



P1	P2		
L	L	BROWN	
N	N	BLUE	
E	E	GREEN/YELLOW	

No.	DESCRIPTION	Q'TY	Supplier
3	H05VV-F 3G 0.75mm ² GTSA-3, OD 6.8mm, JACKET BLACK, DRAWING No. EPH5V0107503C-004	L-20mm	M304
2	MOLDED PVC 45P, COLOR BLACK		M304
	BRACKET: YS-008	1	M767
	TERMINAL: 98732PS-0	1	M257
1	MOLDED PVC 45P, COLOR BLACK		M304
	BRACKET: 8681-3P	1	M764
	INSULATOR TERMINAL: P97658BS-1	2	M257
	TERMINAL: 98658BS-1	1	M257

⚠ REV.2 2011.04.12 MODIFY P1 MODLE WORD
 ⚠ REV.1 2011.03.09 MODIFY P2 MODLE WORD

NOTE: Cable Length Unless Otherwise Spec. Tolerances: Under 6FT ±25mm; Another ±50mm

APPROVED					Unless Otherwise SPEC. Tolerances: 0. ±0.5 .0 ±0.3 .00 ±0.1
CHECKED	HU	12/APR/11	DRAWN NAME	POWER SUPPLY CORDS & CORDS SETS	
DRAWING	XIE	12/APR/11	PRODUCT NO.	P-06BM-AUSI	
					UNIT: mm