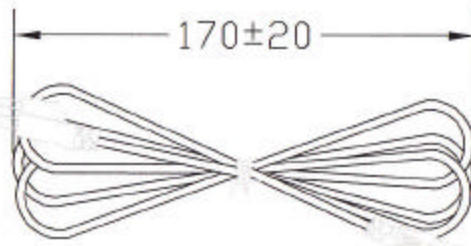
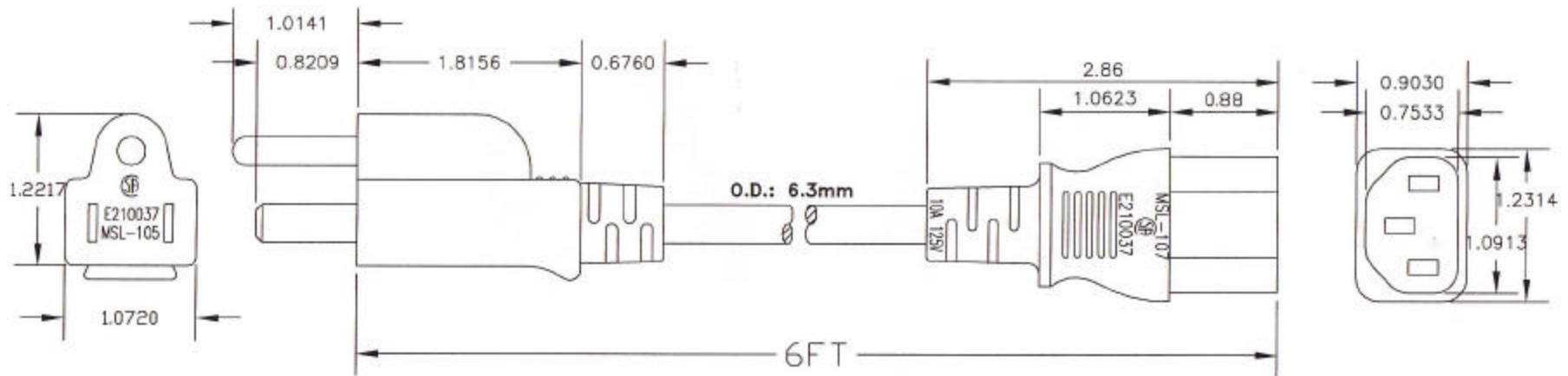


REVISION			
LTR	DESCRIPTION	DATE	APPROVED
A	NEW RELEASE	09/17/99	N.T.



<input checked="" type="checkbox"/> SVT	<input type="checkbox"/> SJT	<input type="checkbox"/> SJTW	AWG
			UL/CSA:60°C
			UL/CSA:60°C SHIELDED
<input checked="" type="checkbox"/>			UL/CSA:60°C~75°C
			UL/CSA:60°C~75°C SHIELDED
			UL/CSA:105°C
			UL/CSA:105°C SHIELDED
<input checked="" type="checkbox"/>	<input type="checkbox"/>	<input type="checkbox"/>	NON MIGRATION
	<input type="checkbox"/>	<input type="checkbox"/>	MIGRATION

Power Cord Maximum Rating: 10A @ 125V



RoHS Compliance

UNLESS OTHERWISE SPECIFIED: 1. DIMENSIONS ARE IN INCHS 2. TOLERANCES: DECIMALES X.XX ±0.25 3. DO NOT SCALE DRAWING 4. REMOVE ALL BURRS AND BREAK SHARP EDGES.  PROPRIETARY DOCUMENT THIS DRAWING AND/OR INFORMATION ON SUBJECT MATTER CONTAINED HEREIN SHALL NOT BE USED, COPIED OR DISSEMINATED IN ANY MANNER, OR FOR ANY PURPOSE, OTHER THAN AS EXPRESSLY STATED BY SF Cable, Inc	CUSTOMER	SF Cable, Inc 29441 Kohoutek Way, www.sfcable.com Union City, CA 94587 888-275-8755		
	RFQ NO.			
	DRAWN DATE Howie Tseng 09/17/99	TITLE Standard AC Power Cord (PC to Wall Power Cord)		
	CHECKED	CUSTOMER APPROVAL	SIZE P7B1-XX	DWG NO. P7B1-XX
SCALE: NONE		RELEASE DATE: 09/17/99	SHEET: 1 OF 1	