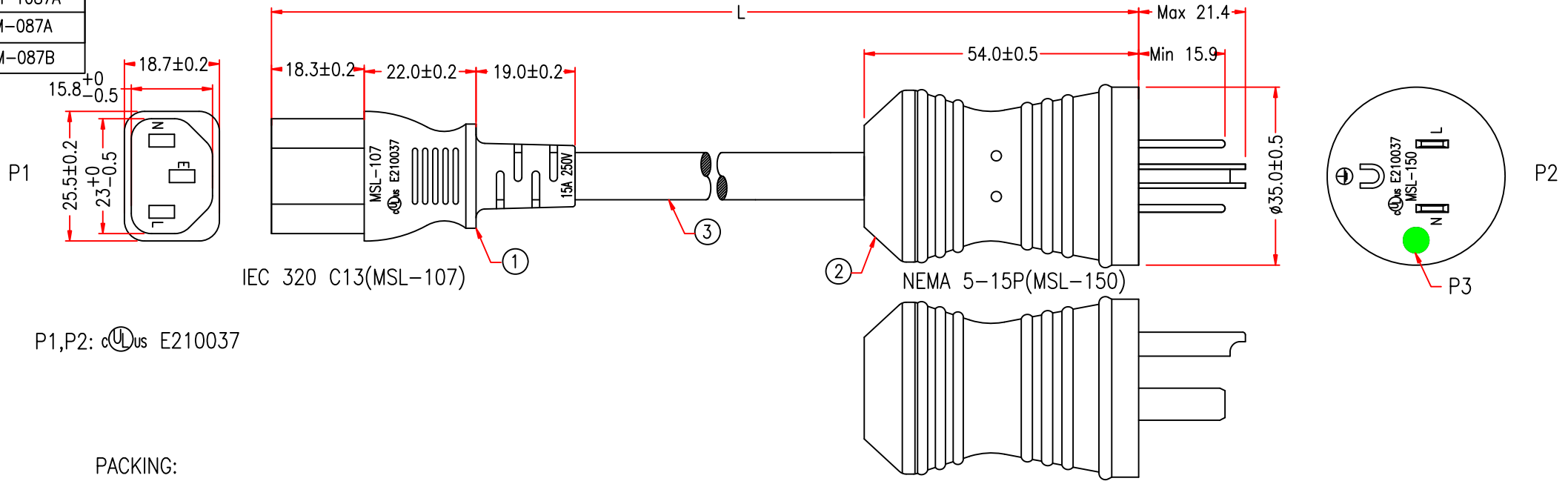


P1: M-005B
 P2: M-Y087A
 M-087A
 P3: M-087B

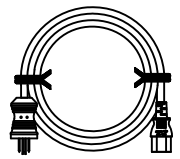


IEC 320 C13(MSL-107)

NEMA 5-15P(MSL-150)

P1,P2: cULus E210037

PACKING:



CABLE MARKING:

(UL) SJT 3/C 14AWG(2.08MM²) VW-1 105°C 300V E204978
 CSA SJT 3/C 2.08MM²(14AWG) FT2 105°C 300V 204790 MSL

107150B2F14B(FP325-01)			
	P1		P2
BLACK	L	—————	L
WHITE	N	—————	N
GREEN	E	—————	E

NOTE: All relevant materials are complied with RoHS directive .
 THE CABLE MARKING IS CONCAVE LETTERING MOULD

3	UL SJT 14AWG x 3C, OD 9.3mm, JACKET BLACK, DRAWING No. EPSVT011403C-147	H5TC21-0304K09	Xmm	M304
2	MOLDED PVC 80P, COLOR GREEN	H1BP01-0304N07		M304
	MOLDED PVC 45P, COLOR BLACK (外模)	H1BF01-0304K09		M304
	MOLDED PVC 35P, COLOR BLACK (内模)	H1BC02-0304K09		M304
1	RIVETING CLAW (铆爪)	A1RT07-1220	1	M1220
	TERMINAL: 98478BL-1	A1RQ99-0257	1	M257
	TERMINAL: 98693BL-1	A1RT05-0257	2	M257
1	MOLDED PVC 35P, COLOR BLACK	H1BC02-0304K09		M304
	BRACKET: YS-003	A1QC14-0767	1	M767
	TERMINAL: 2*4mm, 98744BS-0/A	A1QB24-0257	3	M257
No.	DESCRIPTION		Q'TY	Supplier

APPROVED 2021.03.17
 CHECKED 陳瑞雯
 DESIGNER JIANG
 DRAWING ZHU



Cable Length Unless Other Spec.
 Tolerances:
 0 ~200mm ±10mm
 201~1000mm ±20mm
 1001 ~1500mm ±25mm
 1501~2100mm ±30mm
 2100mm↑ ±40mm

DATE 17/MAR/21 ITEM NO. P7HG-14AWG-BK-XX UNIT:mm

NOTE: Cable Length Unless Otherwise Spec. Tolerances: Under 6FT ±25mm; Another ±50mm