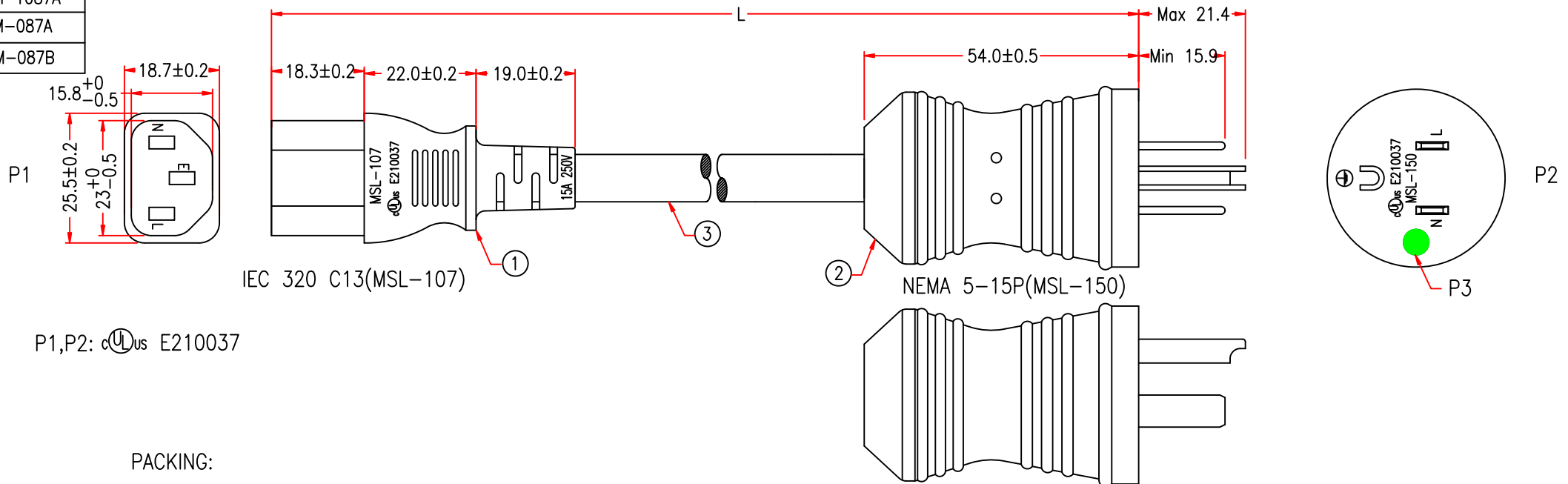
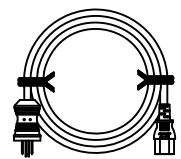


P1: M-005B
 P2: M-Y087A
 M-087A
 P3: M-087B



P1,P2: cULus E210037

PACKING:



CABLE MARKING:

(UL) SJT 3/C 14AWG(2.08MM²) VW-1 105°C 300V E204978
 CSA SJT 3/C 2.08MM²(14AWG) FT2 105°C 300V 204790 MSL

107150B2F14A(FP325-00)			
	P1		P2
BLACK	L	—————	L
WHITE	N	—————	N
GREEN	E	—————	E

NOTE: All relevant materials are complied with RoHS directive .
 THE CABLE MARKING IS CONCAVE LETTERING MOULD

3	UL SJT 14AWG x 3C, OD 9.3mm, JACKET GRAY(PANTONE COOL GRAY 9C), DRAWING No. EPSVT011403C-147	H5TC21-0304G89	Xmm	M304
2	MOLDED PVC 80P, COLOR GREEN	H1BP01-0304N07		M304
	MOLDED PVC 45P, COLOR TRANSPARENT BLUE (外模)	H1BF01-0304T18		M304
	MOLDED PVC 35P, COLOR TRANSPARENT BLUE (内模)	H1BC02-0304T18		M304
	RIVETING CLAW (铆爪)	A1RT07-1220	1	M1220
	TERMINAL: 98478BL-1	A1RQ99-0257	1	M257
1	TERMINAL: 98693BL-1	A1RT05-0257	2	M257
	MOLDED PVC 35P, COLOR TRANSPARENT BLUE	H1BC02-0304T18		M304
	BRACKET: YS-003	A1QC14-0767	1	M767
	TERMINAL: 2*4mm, 98744BS-0/A	A1QB24-0257	3	M257
No.	DESCRIPTION		Q'TY	Supplier

APPROVED 2021.03.17
 木子
 陳瑞雲
 CHECKED
 DESIGNER JIANG
 DRAWING ZHU



Cable Length Unless Other Spec.
 Tolerances:
 0 ~200mm ±10mm
 201~1000mm ±20mm
 1001 ~1500mm ±25mm
 1501~2100mm ±30mm
 2100mm↑ ±40mm

DATE 17/MAR/21 ITEM NO. P7HG14-XX UNIT:mm