

RoHS COMPLIANT

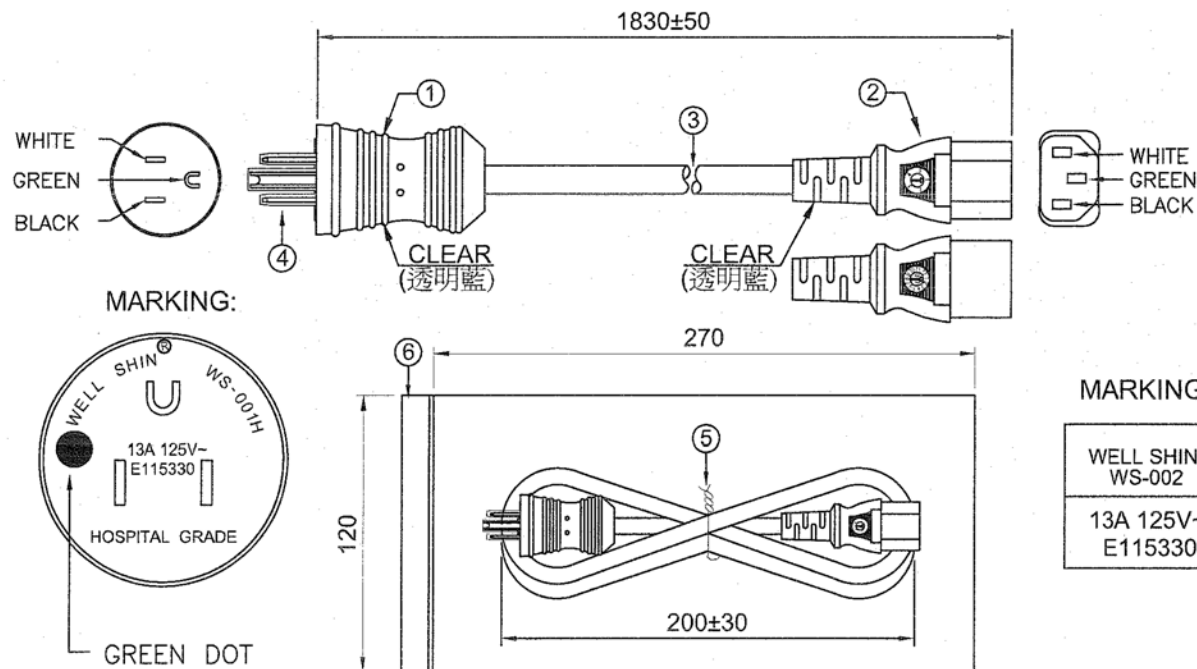
CUSTOMER:

P/N: P7HG16-06

REV. .

APPROVED BY:

REVISIONS		
REV.	DESCRIPTION	DATE
△	-----	----
△		
△		
△		
△		



NOTES:

ITEM	DESCRIPTION	COLOR	QTY
①	WS-001H 13(A) 125(V) APPROVAL: UL,CUL	CLEAR (透明藍)	1
②	WS-002 13(A) 125(V) APPROVAL: UL,CUL		1
③	SJT 16AWG 3C 105°C APPROVAL: UL,CSA	(GY-H) PANTONE Cool Gray 9C	1
④	保護套(Plastic cap)	WHITE	1
⑤	扎線帶(Cable tie)	WHITE	1
⑥	PE由任袋(PE bag)	---	1

MARKING: (M) FOR DONG-GUAN PLANT, (K) FOR KUN-SHAN PLANT		sfcable.com 1-888-275-8755	
ENGINEER BY:	SIGNATURE		
MANAGER BY:		UNIT: mm	SHEET: 1 OF 1
CHECKED BY:	<i>陳金德</i>	REV.	
DRAWN BY:	<i>陳金德</i>	Part No#:	P7HG16-06

