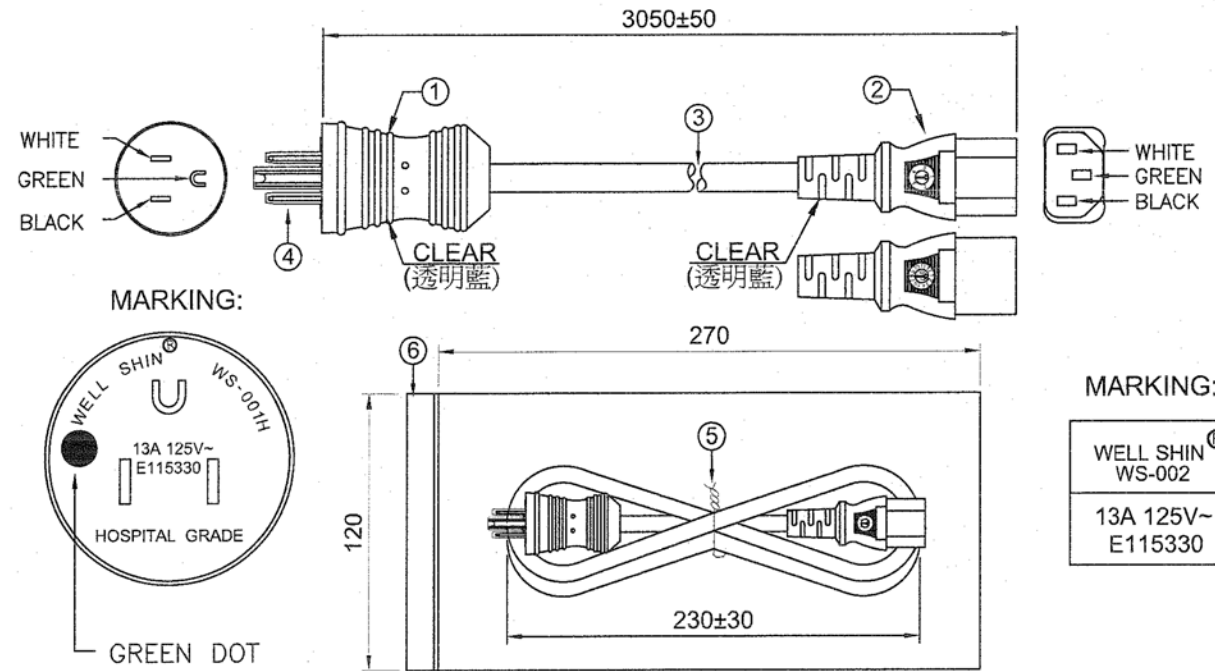


CUSTOMER: P/N: P7HG16-10 REV. . APPROVED BY:

| REVISIONS |             |      |
|-----------|-------------|------|
| REV.      | DESCRIPTION | DATE |
| △         | -----       | ---- |
| △         |             |      |
| △         |             |      |
| △         |             |      |
| △         |             |      |

NOTES:



| ITEM | DESCRIPTION                           | COLOR                       | QTY |
|------|---------------------------------------|-----------------------------|-----|
| ①    | WS-001H 13(A) 125(V) APPROVAL: UL,CUL | CLEAR (透明藍)                 | 1   |
| ②    | WS-002 13(A) 125(V) APPROVAL: UL,CUL  | CLEAR (透明藍)                 | 1   |
| ③    | SJT 16AWG 3C 105°C APPROVAL: UL,CSA   | (GY-H) PANTONE Cool Gray 9C | 1   |
| ④    | 保護套(Plastic cap)                      | WHITE                       | 1   |
| ⑤    | 扎線帶(Cable tie)                        | WHITE                       | 1   |
| ⑥    | PE由任袋(PE bag)                         | ---                         | 1   |

|  |           |                                      |               |
|--|-----------|--------------------------------------|---------------|
| MARKING: (M) FOR DONG-GUAN PLANT, (K) FOR KUN-SHAN PLANT |           | <b>sfcable.com</b><br>1-888-275-8755 |               |
| ENGINEER BY:   | SIGNATURE |                                      |               |
| MANAGER BY:  |           | UNIT: mm                             | SHEET: 1 OF 1 |
| CHECKED BY:  |           | REV.                                 |               |
| DRAWN BY: 陳金德  |           | Part No#                             | P7HG16-10     |

