

RoHS COMPLIANT

CUSTOMER:

P/N:

P7HG18-06

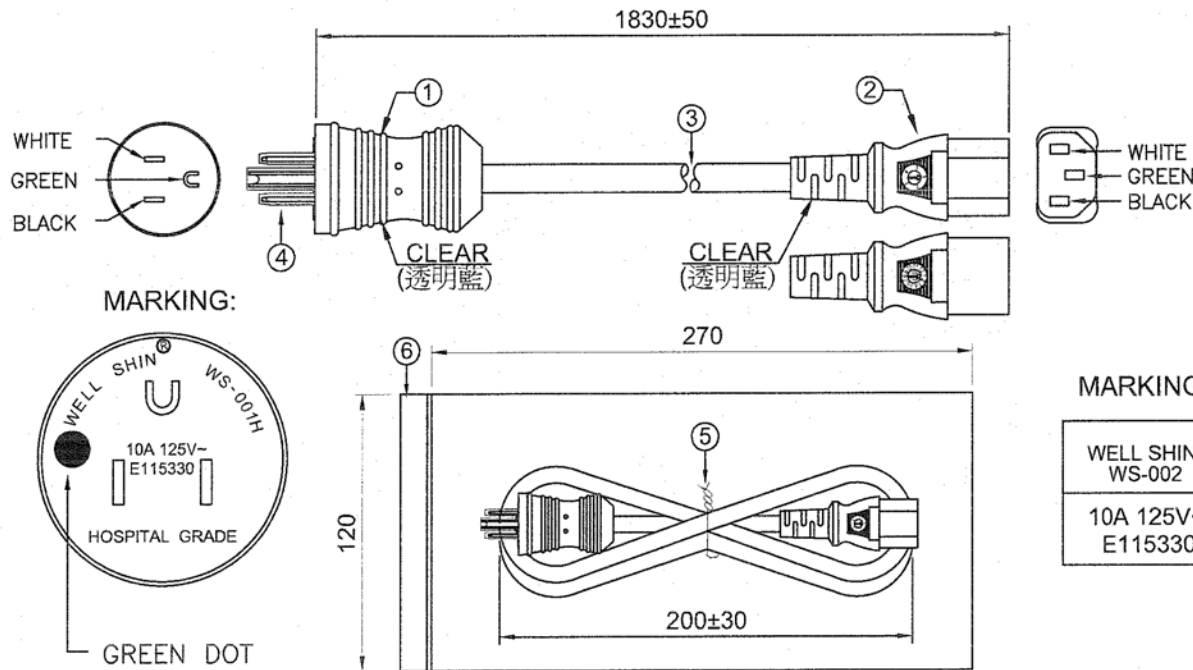
REV. .

APPROVED BY:

REVISIONS

REV.	DESCRIPTION	DATE
△	-----	----
△		
△		
△		
△		

NOTES:



ITEM	DESCRIPTION	COLOR	QTY
①	WS-001H 10(A) 125(V) APPROVAL: UL,CUL	CLEAR (透明藍)	1
②	WS-002 10(A) 125(V) APPROVAL: UL,CUL		1
③	SJT 18AWG 3C 105°C APPROVAL: UL,CSA	(GY-H) PANTONE Cool Gray 9C	1
④	保護套(Plastic cap)	WHITE	1
⑤	扎線帶(Cable tie)	WHITE	1
⑥	PE由任袋(PE bag)	---	1

MARKING: (M) FOR DONG-GUAN PLANT, (K) FOR KUN-SHAN PLANT		<p>sfcable.com 1-888-275-8755</p>	
ENGINEER BY:	SIGNATURE		
MANAGER BY:		CHECKED BY: <i>[Signature]</i>	REV.
DRAWN BY: 陳金德		Part No#:	P7HG18-06

