

RoHS COMPLIANT

CUSTOMER:

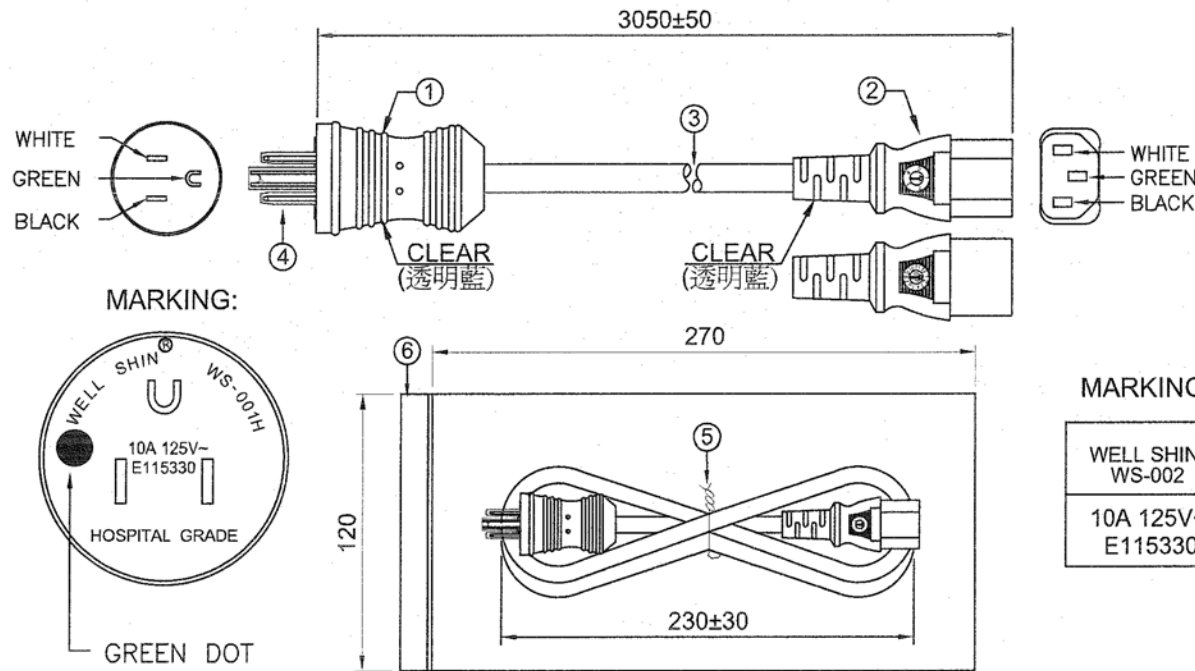
P/N: P7HG18-10

REV. .

APPROVED BY:

REVISIONS		
REV.	DESCRIPTION	DATE
△	-----	----
△		
△		
△		
△		

NOTES:



ITEM	DESCRIPTION	COLOR	QTY
①	WS-001H 10(A) 125(V) APPROVAL: UL,CUL	CLEAR (透明藍)	1
②	WS-002 10(A) 125(V) APPROVAL: UL,CUL		1
③	SJT 18AWG 3C 105°C APPROVAL: UL,CSA	(GY-H) PANTONE Cool Gray 9C	1
④	保護套(Plastic cap)	WHITE	1
⑤	扎線帶(Cable tie)	WHITE	1
⑥	PE由任袋(PE bag)	---	1

MARKING: (M) FOR DONG-GUAN PLANT, (K) FOR KUN-SHAN PLANT		<p>sfcable.com 1-888-275-8755</p>		
ENGINEER BY:	SIGNATURE			UNIT: mm
MANAGER BY:				SHEET: 1 OF 1
CHECKED BY: <i>P. A. 1/22</i>		REV.		
DRAWN BY: 陳金德	Part No#	P7HG18-10		

