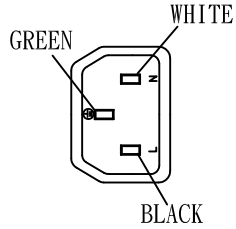




(7")180±25

(7")180±25

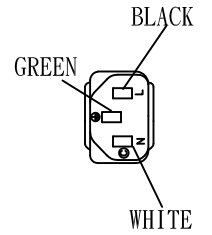
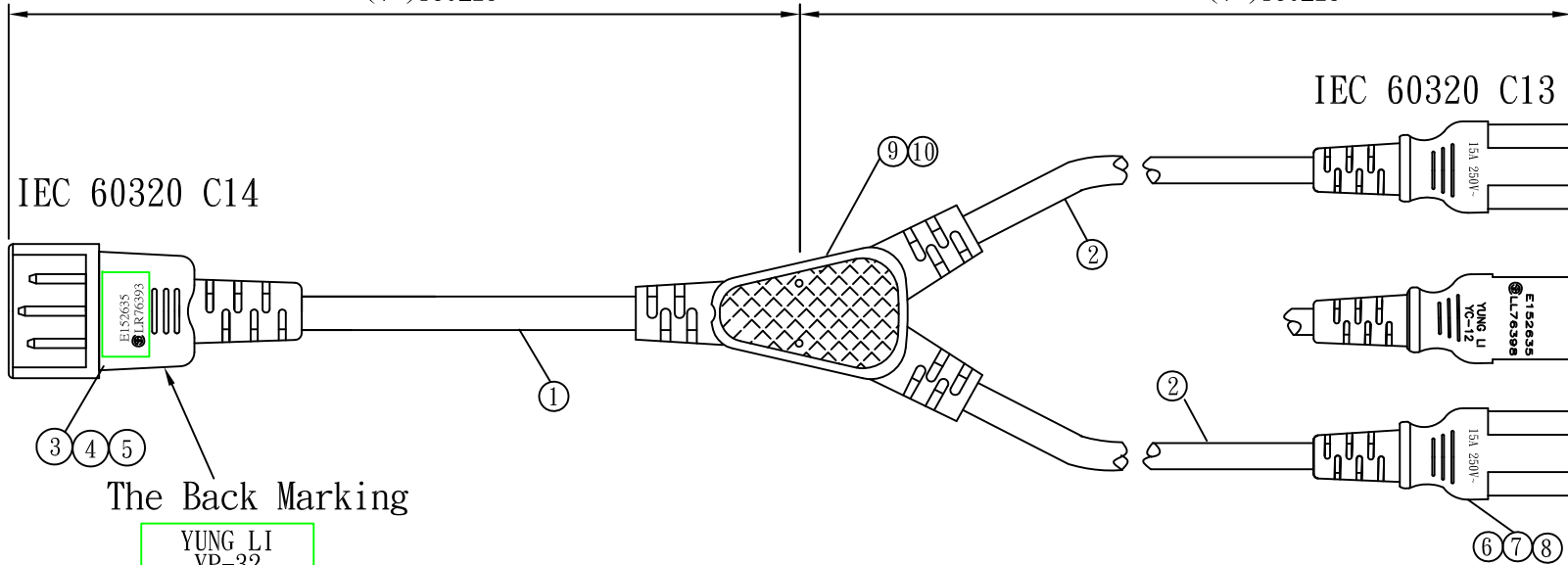


IEC 60320 C14

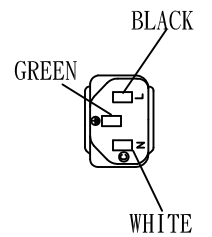
③ ④ ⑤

The Back Marking

YUNG LI  
YP-32  
15A 250V~



IEC 60320 C13



NO.	SPECIFICATION	Q' TY	REMARK
1	SJT 14/3C 105°C BLACK	1PC	
2	SJT 14/3C 105°C BLACK	2PCS	
3	YP-32 PVC PLASTIC:50P BLACK	15g/PC	
4	YP-32 INNER BODY:2 X 4 BLACK	1PC	
5	TER:98672	3PCS	
6	YC-12 PVC PLASTIC:50P BLACK	18g/PC	
7	TER:97740BS-0	6PCS	
8	YC-12 INNER BODY	2PCS	
9	SR-6 PVC PLASTIC:50P BLACK	8g/PC	
10	TER:99146	3PCS	

Tolerance >0±0.30 >1.0±0.50 >10.0±1.0 >20.0±2.0 Angle: ±1°	Approved		Date				
	Checked		Date				
	Drawn	SUKI	Date	13.11.13	Customer		
	Cat. No.	YP-32/SR6+YC-12*2			P/N.	P7ME-D14-YY-14	
	Drawing No.		Rev.	B	Material	P. V. C	Unit
				Scale			