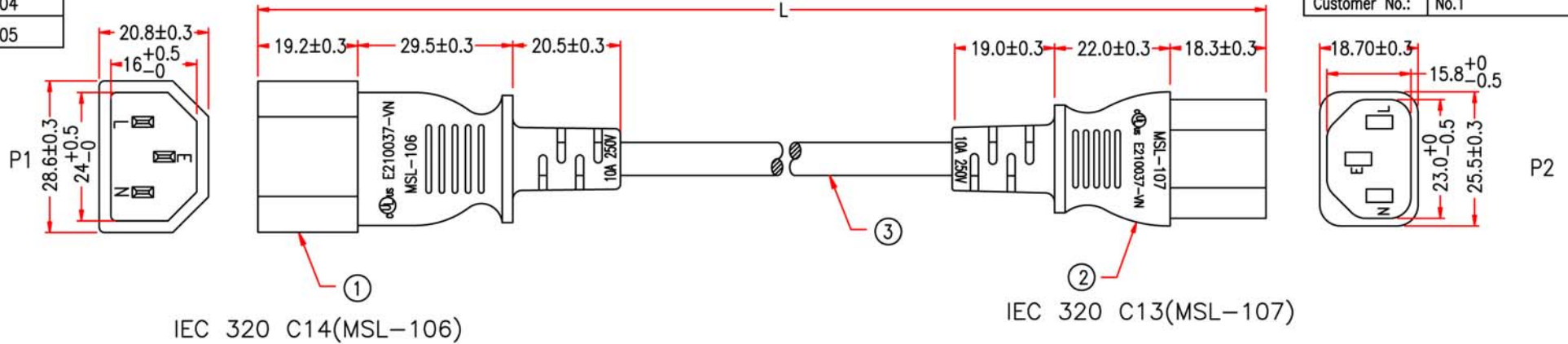


P1: M-004

P2: M-005

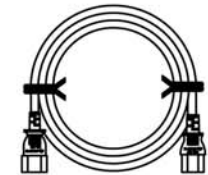
Customer No.: No.1



IEC 320 C14(MSL-106)

IEC 320 C13(MSL-107)

PACKING :



P/N	L	COLOR
P7ME250-01-BLK	1F	Black
P7ME250-01-WHT	1F	White(W49)
P7ME250-02-BLK	2F	Black
P7ME250-02-WHT	2F	White(W49)

CABLE MARKING:

(UL) SJT 3/C 18AWG(0.824MM<sup>2</sup>) VW-1 105°C 300V E204978  
 C(UL) SJT 3/C 0.824MM<sup>2</sup>(18AWG) FT2 105°C 300V E204978 MSL-VN-

106107B2F18E(FP056-04)			
	P1		P2
BLACK	L	_____	L
WHITE	N	_____	N
GREEN	E	_____	E

P1,P2: cULus E210037-VN

\*NOTE: All relevant materials are complied with RoHS directive .  
 THE MARKING IS PROTRUDING LETTERING MOULD

3	UL SJT 18AWG x 3C, OD 7.8mm, COLOR SEE LIST, DRAWING No. EPSVT011803C-142	H5TC20-0304	L-40mm	M304
2	MOLDED PVC 35P, COLOR SEE LIST	H1BC02-0304		M304
	BRACKET: YS-003	A1QC14-0767	1	M767
	TERMINAL: 2*4mm 98740BS-0/A	A1QB55-0257	3	M257
1	MOLDED PVC 35P, COLOR SEE LIST	H1BC02-0304		M304
	BRACKET: YS-014, COLOR SEE LIST	A1QC10-0767	1	M767
	TERMINAL: 2x4mm 98672BS-1	A1QB07-0257	3	M257
No.	DESCRIPTION		Q'TY	Supplier

APPROVED		 <b>1-888-275-8755</b>	Cable Length Unless Other Spec. Tolerances: 0 ~200mm ±10mm 201~1000mm ±20mm 1001 ~1500mm ±25mm 1501~2100mm ±30mm 2100mm↑ ±40mm
CHECKED	HU		
DESIGNER	XJW		
DRAWING	DAI		
DATE	02/AUG/24		
ITEM NO.	P7ME250-XX-WHT	UNIT:mm	