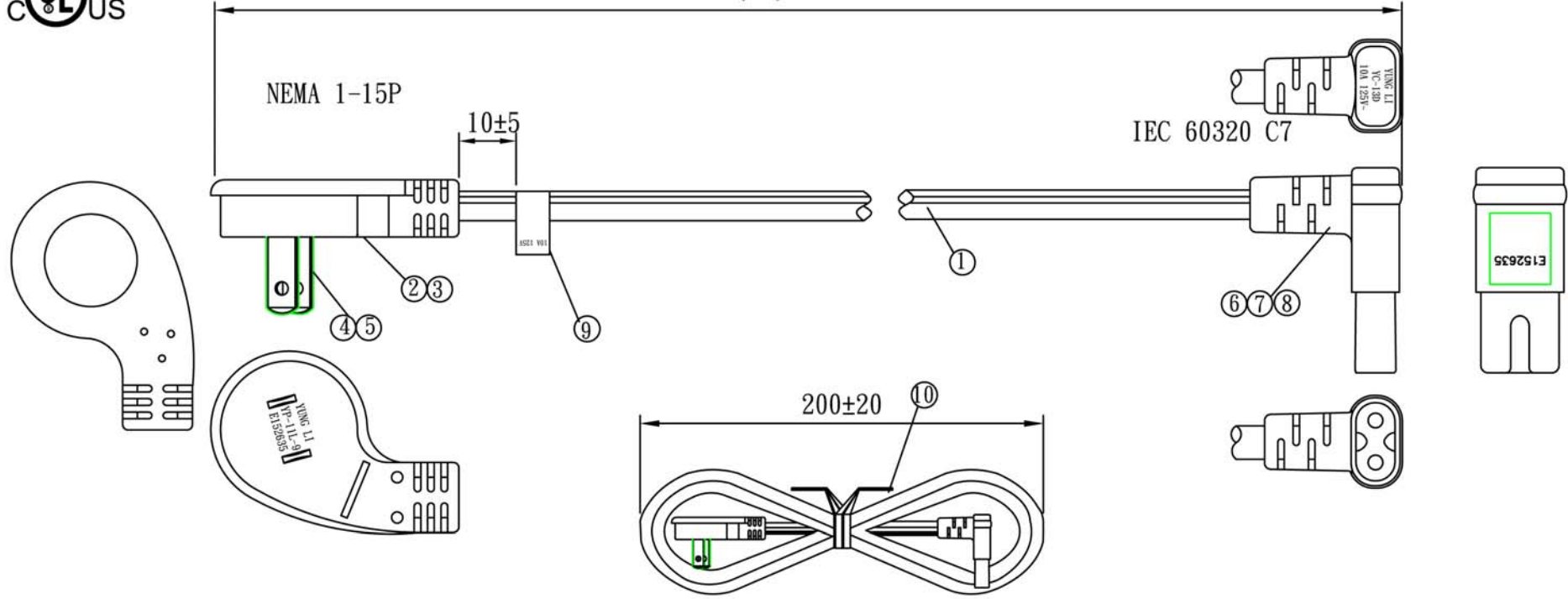
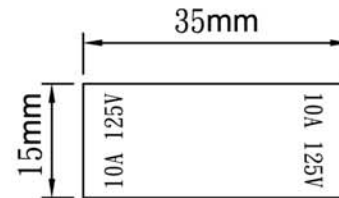




(6') 1830±50



Sample Drawing NO.:
SP121206-01



NO.	SPECIFICATION	Q' TY	REMARK
1	SPT-2 18/2C 105°C BLACK	1PC	
2	YP-11L-9 PVC PLASTIC:35P BLACK	15g/PC	
3	YP-11L-9 INNER BODY	1PC	
4	TER:98675BS-1	2PCS	
5	SLEEVE WHITE	1PC	
6	YC-13D PVC PLASTIC:50P BLACK	9g/PC	
7	YC-13D H. S. G	1PC	
8	YC-13D TER 98714	2PCS	
9	LABEL:35*15mm	1PC	
10	MINI TIE:L=110mm BLACK	1PC	

TOLERANCE >0±0.30 >1.0±0.50 >10.0±1.0 >20.0±2.0 Angle: ±1°	APPROVED	DATE	SFCable.com			
	CHECKED	DATE				
DRAWN	Huangfang	DATE	12.12.06	CUSTOMER		
TYPE				P/N	P7NB-RR06	
DRAWING NO.	REV	B	MATERIAL	P. V. C	UNIT	mm
			SCALE			