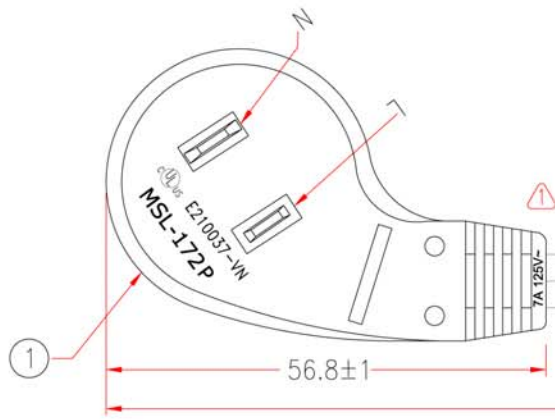
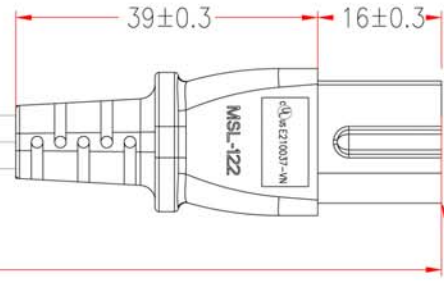
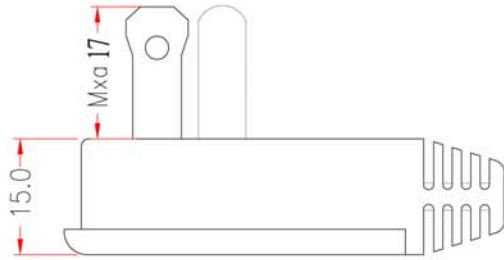


P1 M-YA13A
M-A13A
P2: M-045A

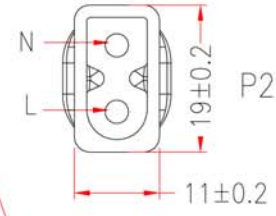
P1



CONNECTOR: MSL-181



CONNECTOR: MSL-122



P2

PACKING A: ≤1FT

PACKING C: 指定機器打捲(只有6FT&1.8M)



PACKING B: OTHER LENGTH (其他長度)

PACKING D: >10FT



P1,P2: cULus E210037-VN

NOTE: All relevant materials are complied with RoHS directive .

P/N	L	COLOR
P7NP-AS-01-BLK	1F	Black
P7NP-AS-01-WHT	1F	White(W49)
P7NP-AS-02-BLK	2F	Black
P7NP-AS-02-WHT	2F	White(W49)
P7NP-AS-03-BLK	3F	Black
P7NP-AS-03-WHT	3F	White(W49)
P7NP-AS-06-BLK	6F	Black
P7NP-AS-06-WHT	6F	White(W49)
P7NP-AS-10-BLK	10F	Black
P7NP-AS-10-WHT	10F	White(W49)

THE CABLE MARKING IS CONCAVE LETTERING MOULD:
(UL) SPT-2 2/C 18AWG(0.824MM²) VW-1 105°C 300V E204978 C(UL)
SPT-2 2/C 0.824MM²(18AWG) FT2 105°C 300V E204978 MSL-VN-



No.	DESCRIPTION	Q'TY	Supplier
3	UL SPT-2 18AWG x 2C, OD 3.5*6.9mm, JACKET COLOR SEE LIST, DRAWING No. EPSPT001802C-050	H5TA04-0304	L-30mm M304
2	MOLDED PVC 35P, COLOR SEE LIST	H1BC02-0304	M304
	2.35 BRACKET: YS-031G	A1QC45-0767	1 M767
	2.35 TERMINAL: 98714PS-0	A1QB05-0257	2 M257
1	MOLDED PVC 35P, COLOR SEE LIST	H1BC02-0304	M304
	TERMINAL WITH BRACKET: MSL-172P, YS21-SR082-4	A1QC99-1035	1 M1035

APPROVED	CHECKED	DESIGNER	DRAWING	DATE	ITEM NO.	UNIT:mm
	HU	XJW	DAI	01/AUG/24	P7NP-AS-XX-WHT	



1-888-275-8755

Cable Length Unless Other Spec. Tolerances:
0 ~200mm ±10mm
201~1000mm ±20mm
1001 ~1500mm ±25mm
1501~2100mm ±30mm
2100mm↑ ±40mm

