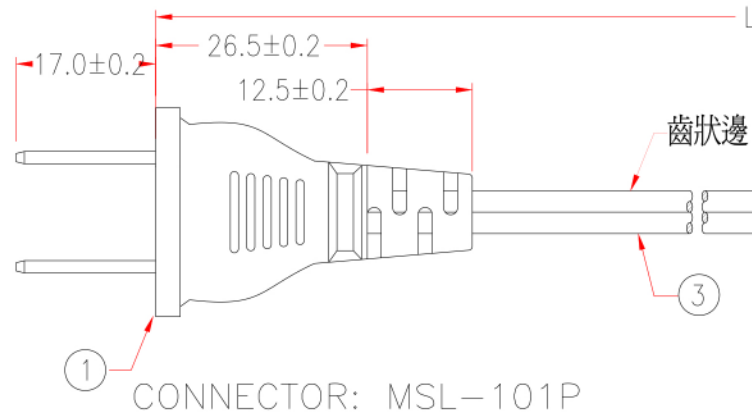
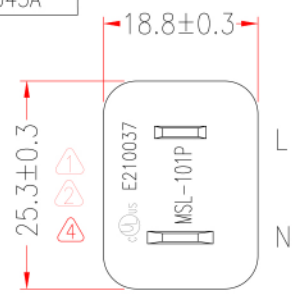


P1: M-001

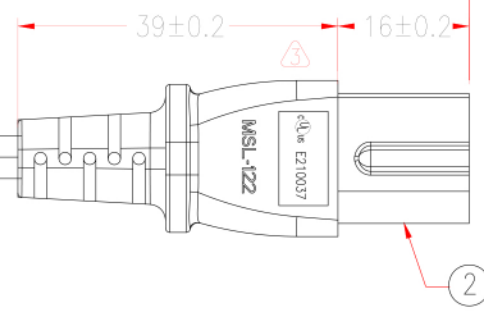
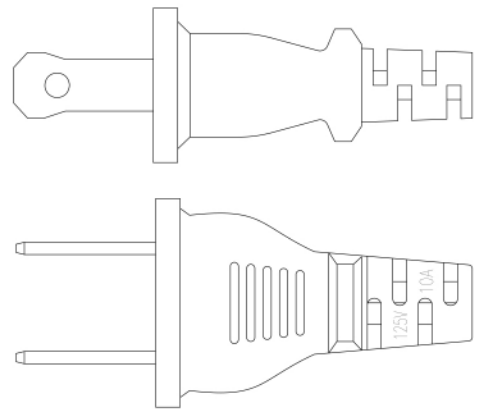
P2: M-045A

Customer No.: No.:1

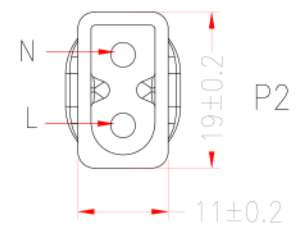
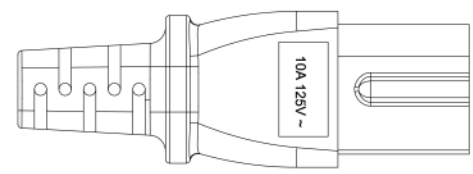
P1



CONNECTOR: MSL-101P



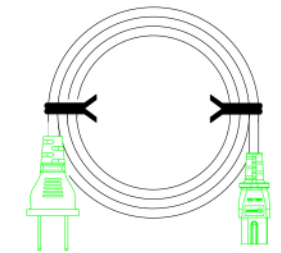
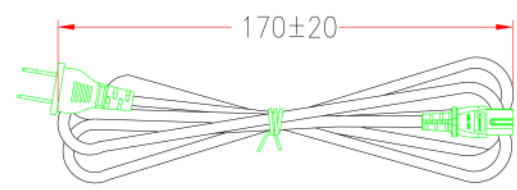
CONNECTOR: MSL-122



P2

PACKING B: >3M

PACKING A: <3M



⚠ P1 P2: cULus E210037

MARKING:

(UL) SPT-2 2/C 18AWG(0.824MM²) VW-1 105°C 300V E204978 CSA
 SPT-2 2/C 0.824MM²(18AWG) FT2 105°C 300V 204790 MSL



NOTE: All relevant materials are complied with RoHS directive .
 THE MARKING IS CONCAVE LETTERING MOULD

⚠	3	UL SPT-2 18AWG x 2C, OD 3.5*6.9mm, JACKET BLACK, DRAWING No. EPSPT001802C-050	H5TA04-0304K09	L-20mm	M304
		MOLDED PVC 35P, COLOR BLACK	H1BC02-0304K09		M304
2	2.35 BRACKET: YS-031G	A1QC45-0767	1	M767	
	2.35 TERMINAL: 98714PS-0	A1QB05-0257	2	M257	
1	MOLDED PVC 35P, COLOR BLACK	H1BC02-0304K09		M304	
	BRACKET: YS-001	A1QC02-0767	1	M767	
	TERMINAL: 98662BS-1	A1QB03-0257	2	M257	
No.	DESCRIPTION			Q'TY	Supplier

APPROVED

Cable Length Unless Other Spec. Tolerances:
 0 ~200mm ±10mm
 201~1000mm ±20mm
 1001 ~1500mm ±25mm
 1501~2100mm ±30mm
 2100mm↑ ±40mm

CHECKED HU 18/AUG/17 DRAWN NAME POWER SUPPLY CORDS & CORDS SETS

DRAWING XU 18/AUG/17 PRODUCT NO. P7NP-XX

UNIT: mm

⚠ REV.4 2017.08.18	MODIFY CABLE MOLDED & MOLDED GOLO		
⚠ REV.3 2016.05.26	MODIFY P2 MODEL LOGO		
⚠ REV.1 2014.07.18	MODIFY P1 MODEL LOGO	⚠ REV.2 2015.09.02	MODIFY P1 MODEL LOGO
NOTE: Cable Length Unless Otherwise Spec. Tolerances: Under 6FT ±25mm; Another ±50mm			