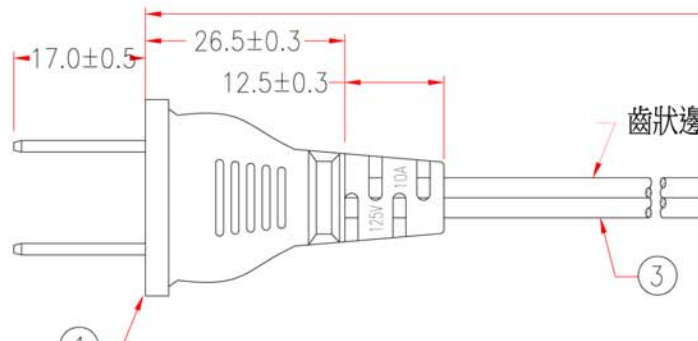
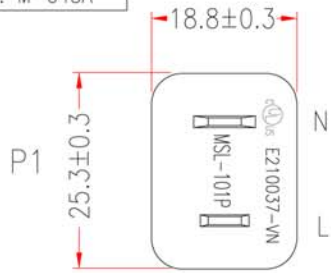


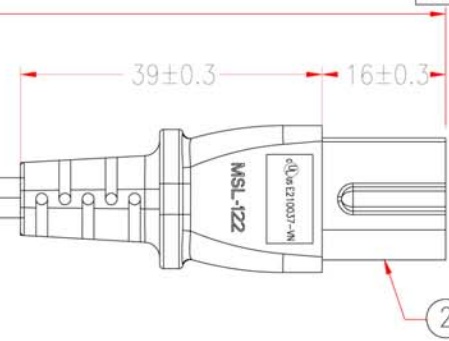
P1: M-001

P2: M-045A

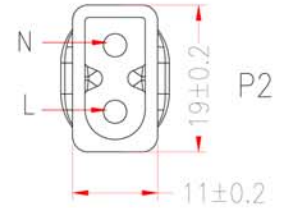
Customer No.: No.:1



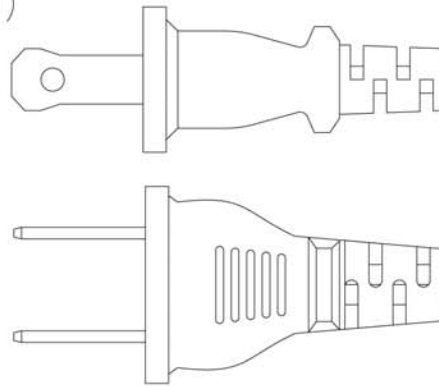
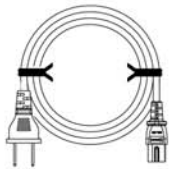
CONNECTOR: MSL-101P



CONNECTOR: MSL-122



PACKING B: >3M(10FT)



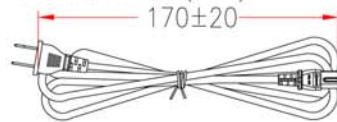
MARKING:

(UL) SPT-2 2/C 18AWG(0.824MM<sup>2</sup>) VW-1 105°C 300V E204978

C(UL) SPT-2 2/C 0.824MM<sup>2</sup> (18AWG) FT2 105°C 300V E204978 MSL-VN-P1 P2: cULus E210037-VN

NOTE: All relevant materials are complied with RoHS directive .  
THE MARKING IS CONCAVE LETTERING MOULD

PACKING A: <3M(10FT)



P/N	L	COLOR
P7NP-01-BLK	1F	Black
P7NP-01-WHT	1F	White(W49)
P7NP-02-BLK	2F	Black
P7NP-02-WHT	2F	White(W49)
P7NP-03-BLK	3F	Black
P7NP-03-WHT	3F	White(W49)
P7NP-06-BLK	6F	Black
P7NP-06-WHT	6F	White(W49)
P7NP-20-BLK	20F	Black
P7NP-20-WHT	20F	White(W49)

No.	DESCRIPTION	Q'TY	Supplier
3	UL SPT-2 18AWG x 2C, OD 3.5*6.9mm, COLOR SEE LIST, DRAWING No. EPSPT001802C-050	L-20mm	M304
2	MOLDED PVC 35P, COLOR SEE LIST		M304
	2.35 BRACKET: YS-031G	1	M767
	2.35 TERMINAL: 98714PS-0	2	M257
1	MOLDED PVC 35P, COLOR SEE LIST		M304
	BRACKET: YS-001	1	M767
	TERMINAL: 98662BS-1	2	M257

102122A2F18A(FP225-00)



APPROVED		 <b>SFCable</b> 1-888-275-8755	Cable Length Unless Other Spec. Tolerances: 0 ~200mm ±10mm 201~1000mm ±20mm 1001 ~1500mm ±25mm 1501~2100mm ±30mm 2100mm↑ ±40mm
CHECKED	HU		
DESINGER	XJW		
DRAWING	DAI		
DATE	01/AUG/24		
ITEM NO.	P7NP-XX-WHT	UNIT:mm	

NOTE: Cable Length Unless Otherwise Spec. Tolerances: Under 6FT ±25mm; Another ±50mm