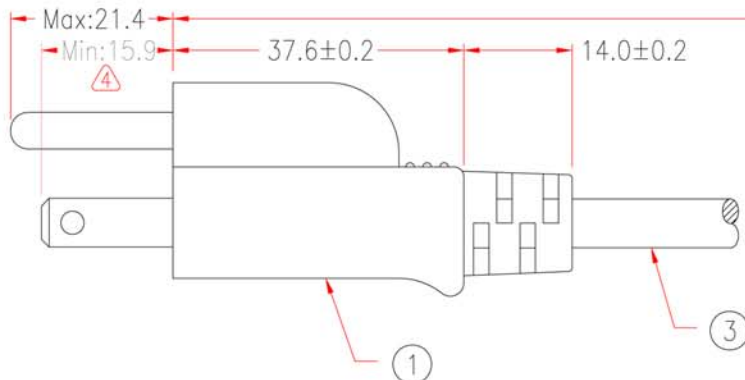
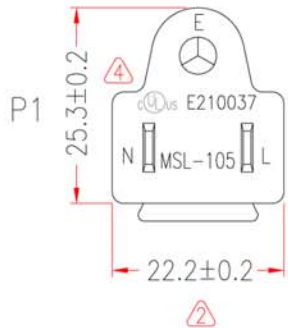


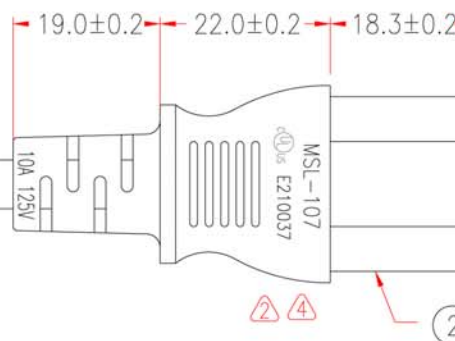
P1: M-003

P2: M-005

Customer No.: No: 1



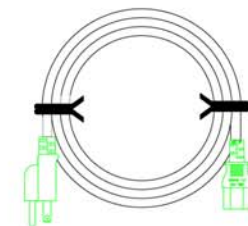
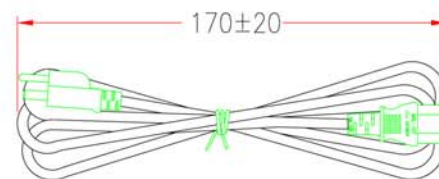
NEMA 5-15P (MSL-105)



IEC 320 C13(MSL-107)

PACKING A: <3M

PACKING B: >3M



P2

MARKING:

(UL) SVT 3/C 18AWG(0.824MM²) SHIELDED VW-1 75°C 300V E204978
 CSA SVT 3/C 0.824MM²(18AWG) SHIELDED FT2 60°C 300V 204790 MSL

	P1		P2
	BLACK	L	L
	WHITE	N	N
△	GREEN+DRAIN	E	E

P1,P2: cULus E210037 △ △

*NOTE: All relevant materials are complied with RoHS directive .

△ THE CABLE MARKING IS CONCAVE LETTERING MOULD

3	UL SVT 18AWG x 3C+S, OD 6.3mm, JACKET BLACK, DRAWING No. EPSVTAL1803C-006	H5TB03-0304K09	L-30mm	M304	
2	MOLDED PVC BLACK, 35P	H1BC02-0304K09		M304	
	BRACKET: YS-003	A1QC14-0767	1	M767	
	TERMINAL: 2*4mm, 98744BS-0/A	A1QB24-0257	3	M257	
1	MOLDED PVC BLACK, 35P	H1BC02-0304K09		M304	
	BRACKET: YS-002	A1QC07-0767	1	M767	
	TERMINAL: 98661BS-1	A1QB01-0257	2	M257	
	TERMINAL: ø4.75mm, 98475BS-1	A1QB06-0257	1	M257	
No.	DESCRIPTION			Q'TY	Supplier

APPROVED					Cable Length Unless Other Spec. Tolerances: 0 ~200mm ±10mm 201~1000mm ±20mm 1001~1500mm ±25mm 1501~2100mm ±30mm 2100mm± ±40mm
CHECKED	HU	28/SEP/17	DRAWN NAME	POWER SUPPLY CORDS & CORDS SETS	
DRAWING	XIAO	28/SEP/17	PRODUCT NO.	P7S1-XX	

NOTE: Cable Length Unless Otherwise Spec. Tolerances: Under 6FT ±25mm; Another ±50mm

UNIT: mm