

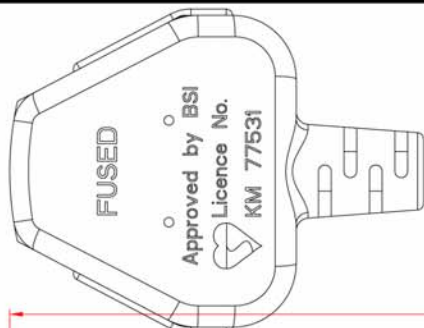
P1: M-015C

P2: M-005

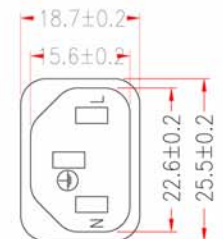
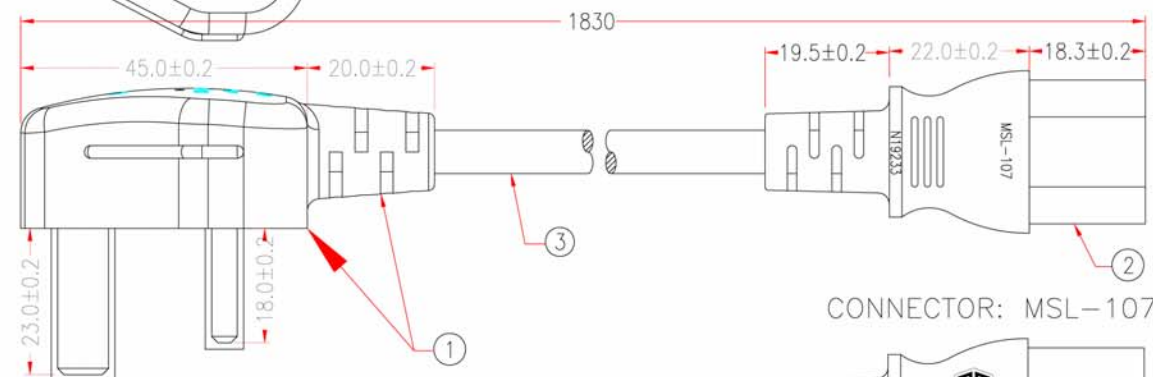
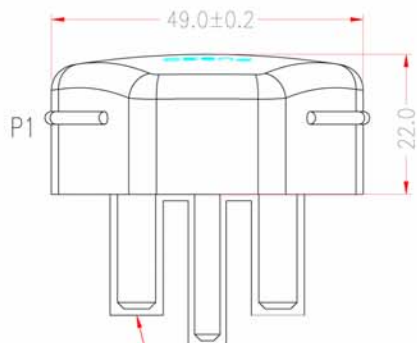
Customer No.: No.1 P7UK-06

FUSE:

LOGO	FUSE
	13A

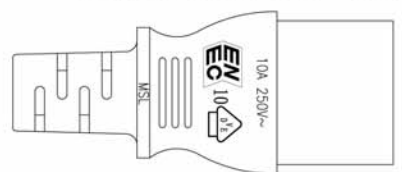


P2:

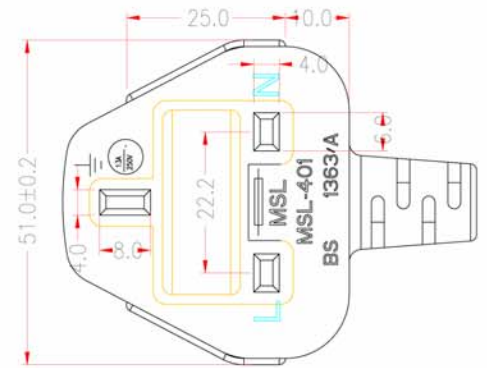
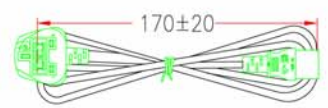


P2

CONNECTOR: MSL-107



PACKING:



PLUG: MSL-402

MARKING:

H05W-F 3G 0.75mm<sup>2</sup> (D) (S) (N) (FI) (OVE) KEMA-KEUR IEMMEQU <VDE> (H)  
 N20050 GTS-A-3 3G 0.75mm<sup>2</sup> MSL

	P1	P2
BROWN	L	L
BLUE	N	N
GREEN/YELLOW	E	E

\* NOTE: All relevant materials are complied with RoHS directive .  
 1 pcs in a polybag, 10pcs in a big polybag, and 80 pcs in a box

3	H05W-F 3G 0.75mm <sup>2</sup> GTS-A-3, OD 6.8mm, JACKET BLACK, DRAWING No. EPH5V0107503C-004	H5TH03-0304K09	1810mm	M304
2	MOLDED PVC 45P, COLOR BLACK	H1BF01-0304K09		M304
	BRACKET: YS-003	A1QC14-0767	1	M767
1	TERMINAL: 2*4mm 98744BS-0/A	A1QB24-0257	3	M257
	MOLDED PVC 45P, COLOR BLACK	H1BF01-0304K09		M304
1	FUSE: 13A	A1QA06-0934	1	M934
	PLUG BRACKET AND TERMINAL A PIECE TYPE: M88051BL-1B/5	A1QA18-0257	1set	M257
No.	DESCRIPTION		Q'TY	Supplier

APPROVED

木子  
2016.02.02  
陳瑞雯



Unless Otherwise SPEC. Tolerances:  
 0. ±0.5  
 .0 ±0.3  
 .00 ±0.1

CHECKED	HU	01/FEB/16	DRAWN NAME	POWER SUPPLY CORDS & CORDS SETS
DRAWING	JIANG	01/FEB/16	PRODUCT NO.	P7UK-06

UNIT: mm

REV.1 2011.11.17 MODIFY P2 MODEL WORD  
 REV.2 2016.02.01 MODIFY P1 PLUG  
 NOTE: Cable Length Unless Otherwise Spec. Tolerances: Under 6FT ±25mm; Another ±50mm