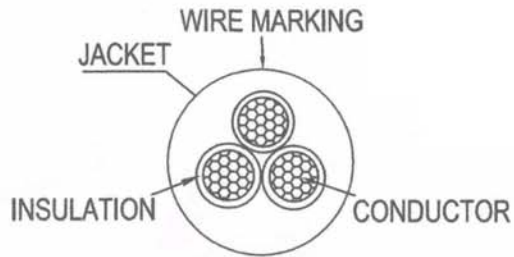
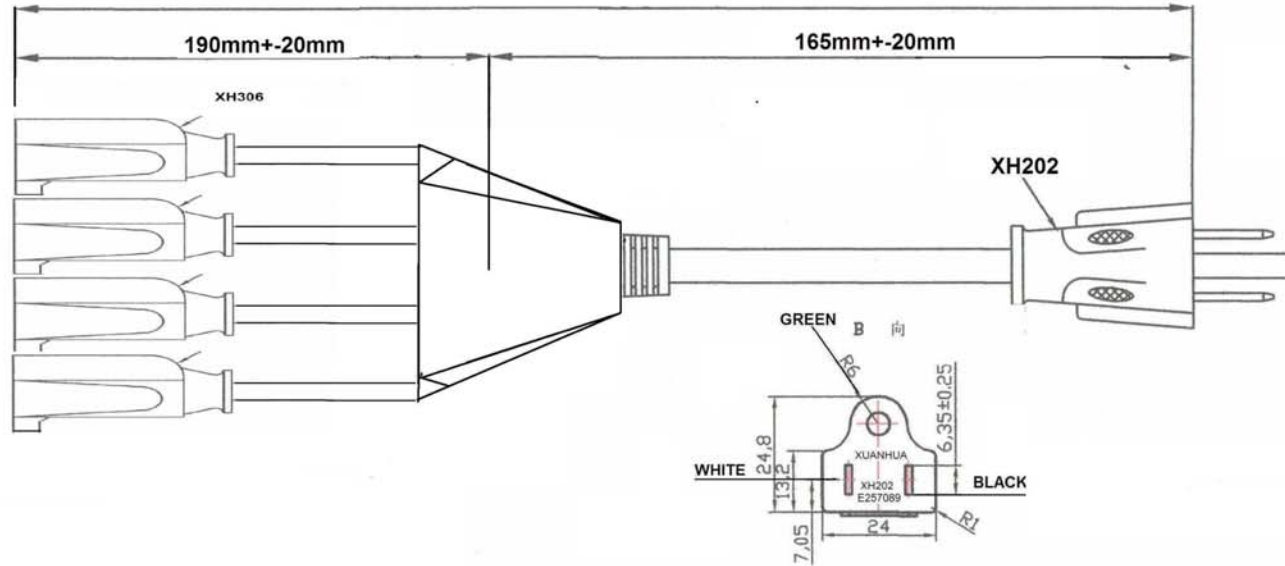
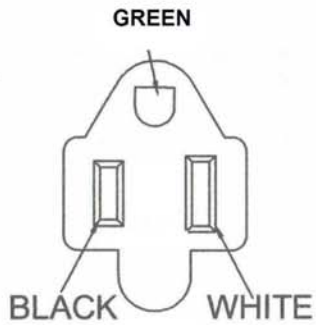


NOTE: ALL MATERIAL COMPLIANT ROHS STANDARD

REVISION INFORMATION

Rev.	Rev. Date	Modified By	Brief Description



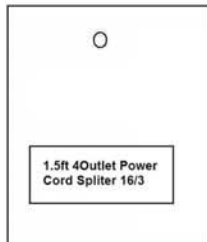
WIRE MARKING: (Hollow)	UL SJT 3/C 16AWG 60C 300V VW-1E313867 100030-765 *c(UL)SJT 3/C 16AWG(1.31mm ²)						
	60C 300V FT1 NINGBO XUANHUA						
Conductor		Insulation			Jacket		Overall diameter
AWG	Resistance maximum (≤)	Min.Thick	Diameter	Length of Lay	Min.Thick	AVG.Thick	
18 41/0.16	at20℃≤22.4ohms/km at25℃≤22.8ohms/km	0.69mm	2.8±0.1mm	56↓mm	0.61mm	0.76mm	7.8±0.15
(NOTE: IF THE CONDUCTORS O.D IS GO BEYOND THE SCOPE, THE RESISTANCE OF CONDUCTOR IS STANDARD THEN)							

ELECTRIC TESTING:

- 1.100% OPEN&SHORT TESTING
- 2.VOLTAGE RATING:AC>=1500V/S
- 3.PLUG(XH202)RATED POWER: 125V 10A UL-E257089
- 4.PLUG(ST3)RATED POWER: 125V 10A UL-257089
- 5.WIRE: SJT 16/3 RATED POWER: 300V 10A UL-E313867
- 6.COLOR: BLACK

PACKING:

PE BAG:
LABEL:
1.5ft 4Outlet Power
Cord Splitter 16/3



sfcable.com
1-888-275-8755

DRAWN BY: Feng

DATE:
2015/01/14

DESCRIPTION:
XH202+XH-301-C+4XH306 SJT 16/3

CHECKED BY: Zhang

SHEET 1 of 1

ITEM NO. P7YY-04

APPROVED BY

SCALE

REV. 00

UNIT: mm

