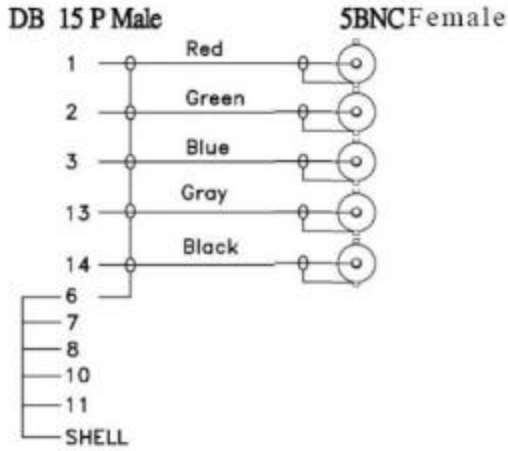


CONNECTION



ELECTRICAL TESTING

1. CONDUCTOR RESISTANCE: $\leq 5\Omega$ 300V DC

6	Cable: $\{[(10/0.10)*1C+32/0.10]*5C\}*1C$ OD.:9.0 Black PVC Jacket
5	DB 15 PIN Screw
4	Ferrite Core
3	PVC - Black
2	BNC Female-Nickel Plated
1	DB 15P Male -Nickel Plated
NO.	DESCRIPTION

CUSTOMER:	DATE	DRAWN	CHECKED	APPROVAL
	2009/04/21	Tao		
DOC No.:	UNIT: mm	SCALE: NO	REV: A	

SFCable.com
1-888-275-8755

PRODUCT:
0.75Ft
DB15HD-Male to
5BNC-Female
Cable Black

PART No.:
RB20-01-BLK