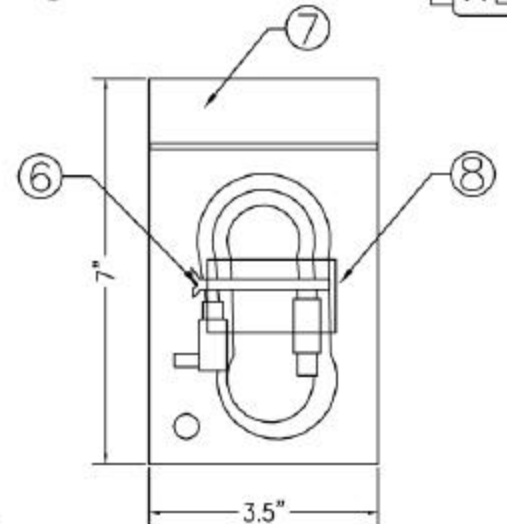
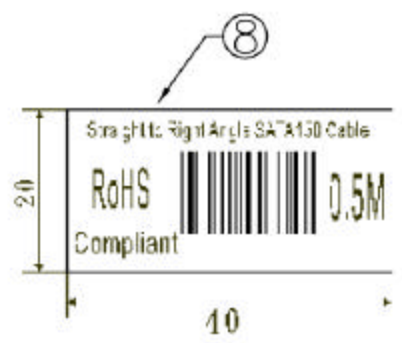
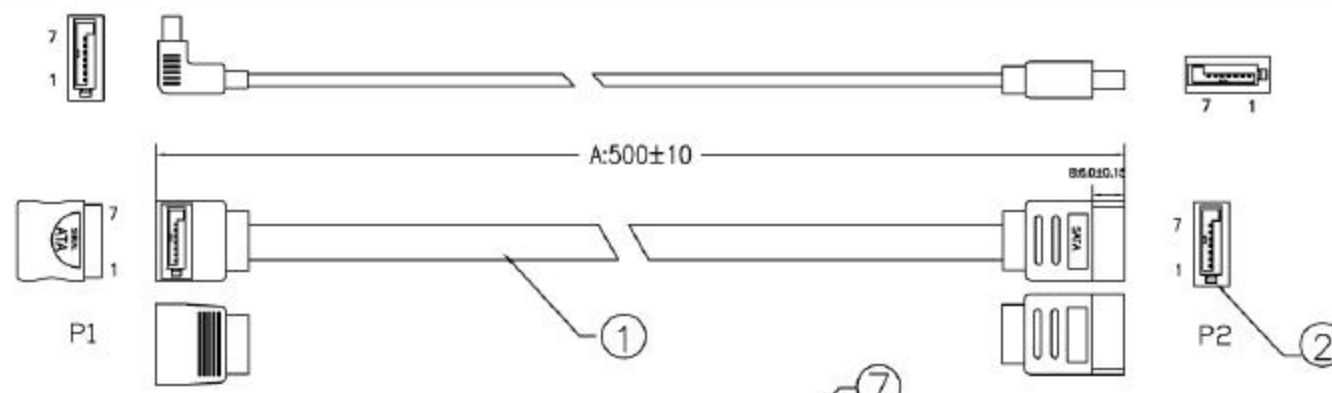


CUSTOMER NO:	REMARK
180725	K1:1.0/33.3g



PINOUT:

1	DRAIN	1	G
2	SIGNAL(WHITE)	2	DR+
3	SIGNAL(WHITE)	3	DR-
4	DRAIN	4	G
5	SIGNAL(WHITE)	5	DT-
6	SIGNAL(WHITE)	6	DT+
7	DRAIN	7	G

NOTE:

- 1) PRIMARY DIM:A.B (主要尺寸:A,B)
- 2) CONDUCTOR RESISTANCE:5Ω (導通阻抗:5歐姆)  
INSULATION RESISTANCE:20MΩ (絕緣阻抗:20M歐姆)  
HI-POT:DC 300V; (高壓測試:300V DC)
- 3) P1, P2 DE NO: C63017, C6302 (P1, P2 模號: C63017, C6302)
- 4) IFC 2040M 此貼紙貼於 FE BGE 中間
- 5) 產品符合 'RoHS' 規範

3	OUTER JACKET PVC 60Pa BLACK(1101) RoHS
2	SERIAL ATA150 SOLDER CONNECTOR BLACK RoHS
1	SERIAL ATA150(26#*2F+A+2D)*2 OD:2.2*7.6 RED 500MM RoHS

A	FIRST EDITION		
REV	DESCRIPTION	C.N.	DATE
TITLE		P/N	6500-0413
SERIAL ATA150 RoHS		DR	X22 04/02/09
CUSTOMER:			UNIT:MM
CHKD:	APPD:	CONF:	☉
			SIZE:A4