

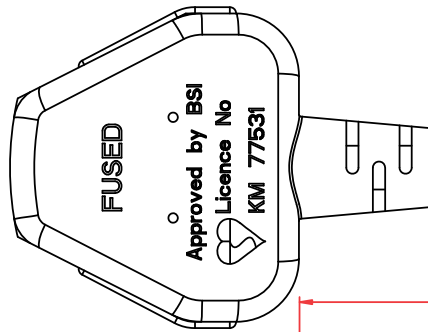
P1: M-015C

P2: M-005

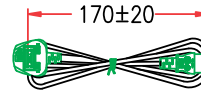
Customer No.: No.1 10W1-12206-UK

FUSE:

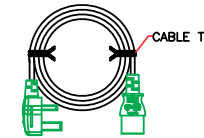
LOGO	FUSE
	13A



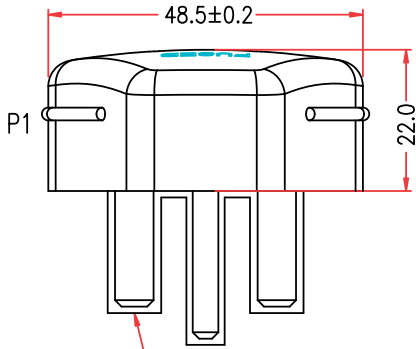
PACKING A: <3M



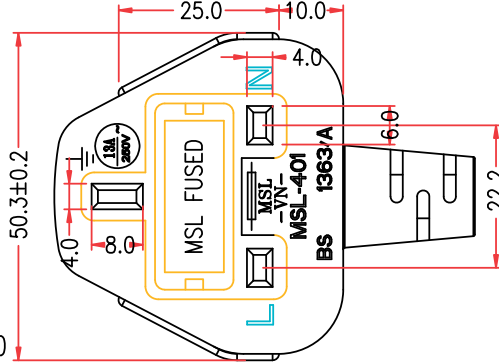
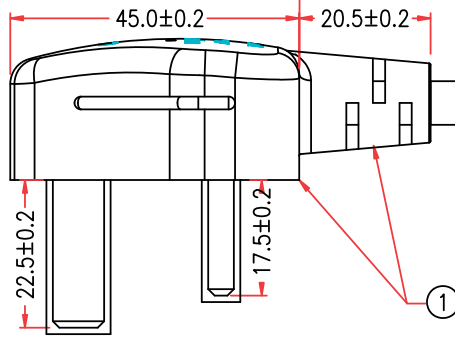
PACKING B: >3M



ITEM NO.	LENGTH(L)	LENGTH(X)
M726-99-08	2438mm	2460mm
M726-99-10	3048mm	3060mm



WHITE COVER



PLUG: MSL-403

THE CABLE MARKING IS CONCAVE LETTERING MOULD

MARKING:

H05VV-F 3G 0.75mm² Ⓟ Ⓢ Ⓝ ⓕ Ⓡ KEMA-KEUR Ⓡ IEMMEQU <VDE> Ⓢ
 N20050 G TSA-3 3G 0.75mm² MSL

107402E3FS2K(FP081-10)		
	P1	P2
BROWN	L	L
BLUE	N	N
GREEN/YELLOW	E	E

* NOTE: All relevant materials are complied with RoHS directive .

No.	DESCRIPTION	Q'TY	Supplier
3	H05VV-F 3G 0.75mm ² G TSA-3, OD 6.8mm, JACKET BLACK, DRAWING No. EPH5V0107503C-042	Xmm	M304
2	MOLDED PVC 45P, COLOR BLACK		M304
	BRACKET: CP-R445A-BS	1	M767
1	TERMINAL: 2*4mm 98744BS-0/A	3	M257
	MOLDED PVC 45P, COLOR BLACK		M304
	FUSE LATCH: MSL-403	1	M767
	FUSE: 13A	1	M455
	PRESSURE CAP, MSL-403	1	M402
	PLUG BRACKET AND TERMINAL A PIECE TYPE:168T03, MSL-403	1	M402

APPROVED			Cable Length Unless Other Spec. Tolerances: 0 ~200mm ±10mm 201~1000mm ±20mm 1001 ~1500mm ±25mm 1501~2100mm ±30mm 2100mm↑ ±40mm
CHECKED	HU		
DESIGNER	JIANG		
DRAWING	ZHU		
DATE	11/MAR/21	ITEM NO.	SF-6112-08B



NOTE: Cable Length Unless Otherwise Spec. Tolerances: Under 6FT ±25mm; Another ±50mm

