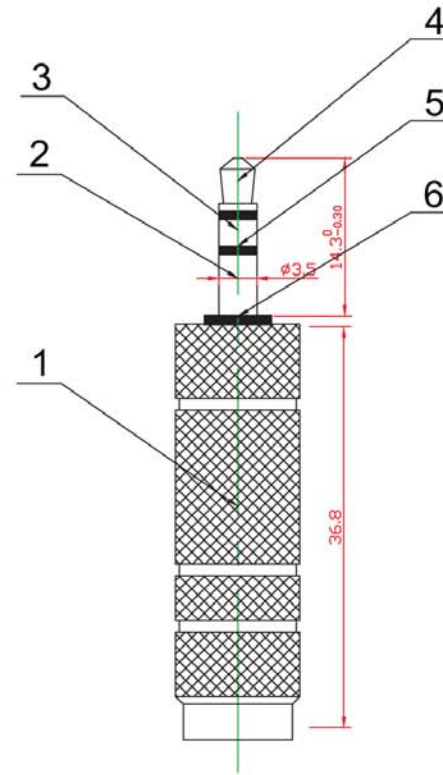
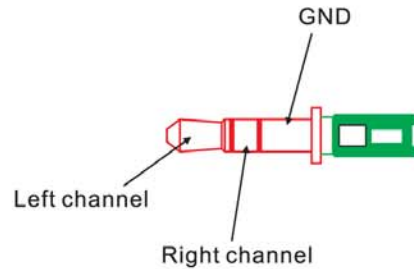


Product Name	3.5mm Male to 6.5mm Female
Product Numbers	SF-AVA03



PIN Assignment

P1---P2
 Left channel 1---White-1
 Right channel 2---Red-2
 GND 3---Black-3



6	Copper pipe base	1
5	Bushing	1
4	Head 3.5mm Male	1
3	Median Segment	1
2	Copper pipe	1
1	Metal Capped pipe	1
NO	DESCRIPTION	Q'TY

REV.	DESCRIPTION		DATE
	TOLERANCE		SFCABLE.COM
	INCHES	M/M	
	.X	.015 .30	
.XX	.010 .10	TITLE: SF-AVA03	
.XXX	.005 .05	CUSTOMER :	
DRAWN BY	Jones	SCALE	NONE
CHECK BY		UNIT	MM
APPD BY		DATE	2012. 5. 07
		DRAWING NO:	REV. A
			1/3