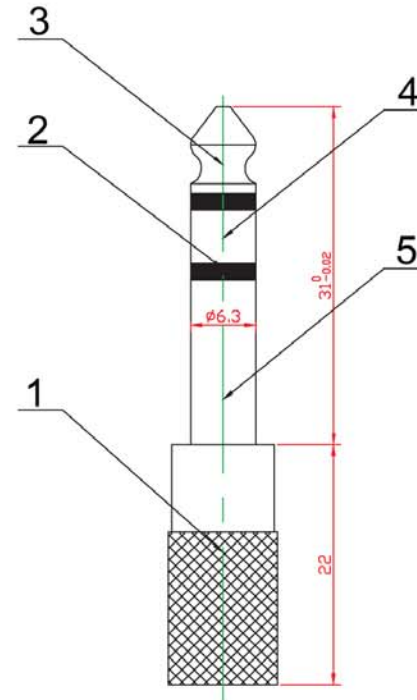
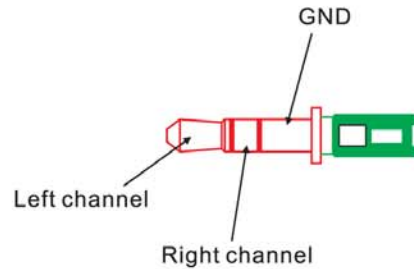


Product Name	6.5mm Male to 3.5mm Female
Product Numbers	SF-AVA04




PIN Assignment

P1---P2  
 Left channel 1---White-1  
 Right channel 2---Red-2  
 GND 3---Black-3



5	Copper pipe	1
4	Median Segment	1
3	Head 6.3mm Male	1
2	Bushing	1
1	Metal Capped pipe	1
NO	DESCRIPTION	Q'TY

REV.	DESCRIPTION		DATE	
	TOLERANCE		SFCABLE.COM	
	INCHES	M/M		
	.X	.015 .30		
.XX	.010 .10	TITLE: SF-AVA04		
.XXX	.005 .05	CUSTOMER :		
DRAWN BY	Jones		DRAWING NO:	
CHECK BY			SCALE	NONE
APPD BY			UNIT	MM
			DATE	2012. 5. 07
				REV. A
				1/3