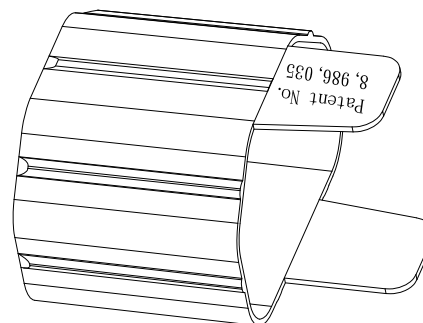
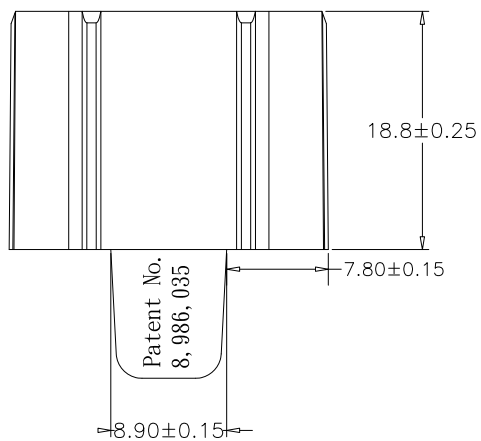
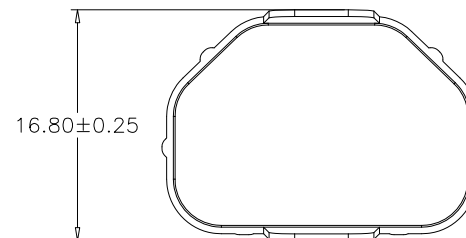


VIEW:A-A



NO.	SPECIFICATION	QTY	REMARK
1	C13 PA66 Nylon Sleeve YELLOW	1PC	

TOLERANCE >0±0.30 >1.0±0.50 >10.0±1.0 >20.0±2.0 Angle: ±1°	APPROVED		DATE					
	CHECKED		DATE					
	DRAWN	Melon	DATE	19.04.01	CUSTOMER			
	TYPE	C13 Secure Sleeve TAB-YEL			P/N	SF-C13-SS-YEL		
	DRAWING NO.	CY-N0142	REV	B	MATERIAL	PA66	UNIT	mm
				SCALE				

YUNG LI CO., LTD

INSPECTION REPORT

CUSTOMER	SPDS	DRAWING NO	CY-N0142	TYPE	C13 Secure Sleeve	Q'TY	/	DATE	2019/4/1	S.Q'TY	/
NON-CONFORMING		0		AC	✓	STANDARDS		ANSI/ASQC Z1.4 CLASS <input checked="" type="checkbox"/> normal <input type="checkbox"/> strict			
				RE		DISCRIMINAAT		CRI=0 MAJ=0.25 MIN=0.65			
APPEARANCE CHECKING		Marking, NO SHRINKAGE, WIRE EXPOSURE, DISTORTION, SCRAPE, EXTERNAL DAMAGES <u>OK (YELLOW)</u>									

REMARK : Patent No.
8, 986, 035

DIMENSION CHECKING: ACCORDING TO DRAWING

ITEM NO.	A	B	C	D	E	F	G	H	I					
STANDARDS	24.05- 24.55	15.35- 15.85	22.75- 23.25	28.65- 29.15	0.25- 0.45	17.05- 16.55	18.55- 19.05	7.65- 7.95	8.75- 9.05					
TEST RESULT	1	24.46	15.6	23.16	28.74	0.41	16.92	18.66	7.75	8.78				
	2	24.4	15.82	23.1	28.78	0.43	16.89	18.72	7.72	9.01				
	3	24.36	15.74	23.13	28.92	0.44	16.98	18.76	7.68	8.9				
	4	24.48	15.63	22.92	28.86	0.43	16.83	18.78	7.69	9.02				
	5	24.27	15.73	22.96	28.78	0.42	16.97	18.73	7.71	8.93				

DRAWING

The drawing shows a technical drawing of a secure sleeve. It includes several views and dimensions:

- Top View:** Shows an octagonal shape with dimensions A (24.30±0.25), B (15.60±0.25), and C (23.0±0.25).
- Side View (VIEW: A-A):** Shows the profile of the sleeve with dimensions D (28.90±0.25) and E (0.35±0.1).
- Bottom View:** Shows the bottom of the sleeve with dimension F (16.80±0.25).
- Front View:** Shows the sleeve with dimensions G (18.8±0.25) and H (7.80±0.15).
- Patent Marking:** The drawing includes the text "Patent No. 8, 986, 035" in multiple locations.
- 3D Perspective View:** Shows the sleeve with a label that reads "Patent No. 8, 986, 035".

APPROVED	CHECKED	PREPARED	Melon
----------	---------	----------	-------

Manufacturer Name	YUNG LI CO.,LTD				
Manufacturer Part number	C13 Secure Sleeve TAB-YEL				
Material Name	Material Weight	Unit of Measurement	Substance Name	CAS Number	Substance Weight
PA66	0.9	g	nylon6/6	32131-17-2	0.90
Total Weight	0.9				