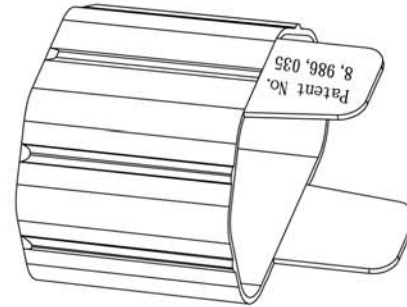
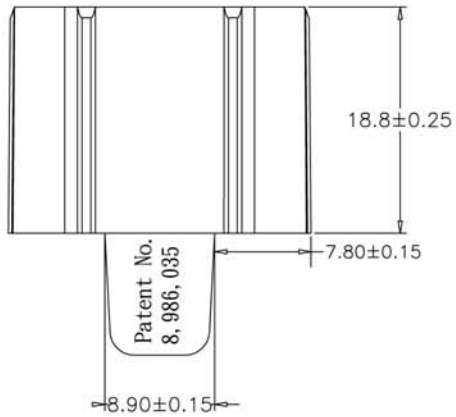
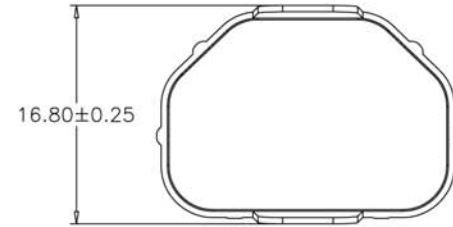



VIEW:A-A



NO.	SPECIFICATION	QTY	REMARK
1	C13 PA66 Nylon Sleeve, Black	1PC	

Tolerance >0±0.30 >1.0±0.50 >10.0±1.0 >20.0±2.0 Angle: ±1°	Approved		Date					
	Checked		Date					
	Drawn	SUKI	Date	15.09.16	Customer			
	Cat. No.	YC-12(C13) SLEEVE			P/N.	SF-C13-SS		
	Drawing No.	CY-N0140		Rev.	B	Material	PA66	Unit
					HEFT(g)		