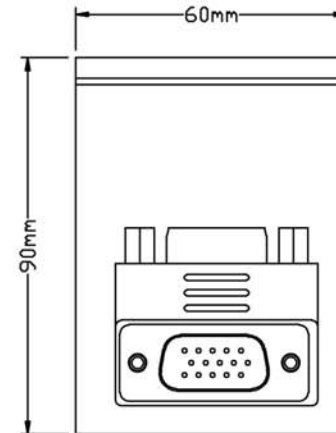
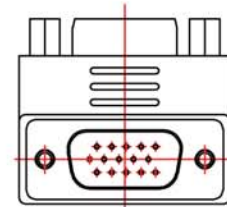
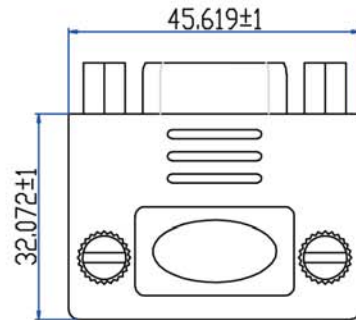
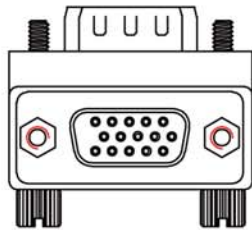
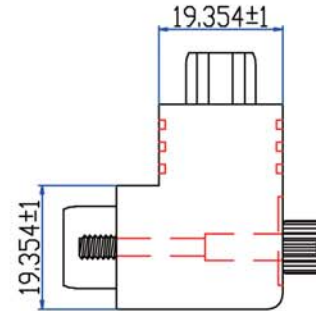
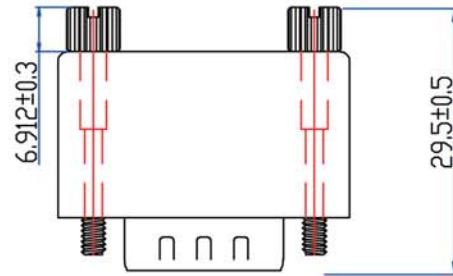


| | |
|-----------------|--------------------------------|
| Product Name | VGA Male to Female 90° Adapter |
| Product Numbers | SF-CV207 |



WIRE LIST:

| P1 | P2 |
|----|----|
| 1 | 1 |
| 2 | 2 |
| 3 | 3 |
| 4 | 4 |
| 5 | 5 |
| 6 | 6 |
| 7 | 7 |
| 8 | 8 |
| 9 | 9 |
| 10 | 10 |
| 11 | 11 |
| 12 | 12 |
| 13 | 13 |
| 14 | 14 |
| 15 | 15 |

SHELL ——— SHELL

ELECTRONIC TEST CONDITION:
 100% OPEN SHORT & MISWIRE TEST.
 CONDUCTIVE RESISTANCE:3Ω/MAX
 INSULATION RESISTANCE:10MΩ/MIN.AT DC 300V

| ITEM | NAME | DESCRIPTION | O'TY |
|------|--------|--|---------|
| ⑦ | PVC | MOLDED 45P PVC BLACK | 0.020KG |
| ⑥ | SCREW | SCREW #4-40UNC,Ø2.8*28.0mm NICKLE PLATED | 2PCS |
| ⑤ | CONN. | HDB15 FEMALE CONNECTOR SOLDER TYPE CONTACT GOLD FLASH. TIN PLATED SHELL, INSULATOR (RED, GREEN, BLUE SEPARATE ONE). | 1PCS |
| ④ | CONN. | HDB15 MALE CONNECTOR SOLDER TYPE CONTACT GOLD FLASH INSULATOR:BLUE FRONT BACK TIN PLATED WHITE SHELL | 1PCS |
| ③ | CABLE | HOOK UP WIRE:UL1007 28AWG*1C TINNED COPPER WIRE, INSULATION:RED PVC L=30±1mm. | 15PCS |
| ② | CABLE | HOOK UP WIRE:UL1007 28AWG*1C TINNED COPPER WIRE, INSULATION:BLACK PVC L=35±1mm | 10PCS |
| ① | PE BAG | 60*90*0.06mm | 1PCS |

| REV. | DESCRIPTION | | | DATE |
|----------|-------------------------|-------|--------------------|--------------------------------|
| ⊕ | TOLERANCE INCHES M/M | | | SFCABLE.COM |
| .X | .015 | .30 | TITLE: SF-CV207 | |
| .XX | .010 | .10 | | |
| .XXX | .005 | .05 | | |
| DRAWN BY | Dawson | | | VGA Male to Female 90° Adapter |
| CHECK BY | | SCALE | NONE | DRAWING NO: |
| APPD BY | | UNIT | MM | |
| | | DATE | 2013.03.08 | 1/3 |