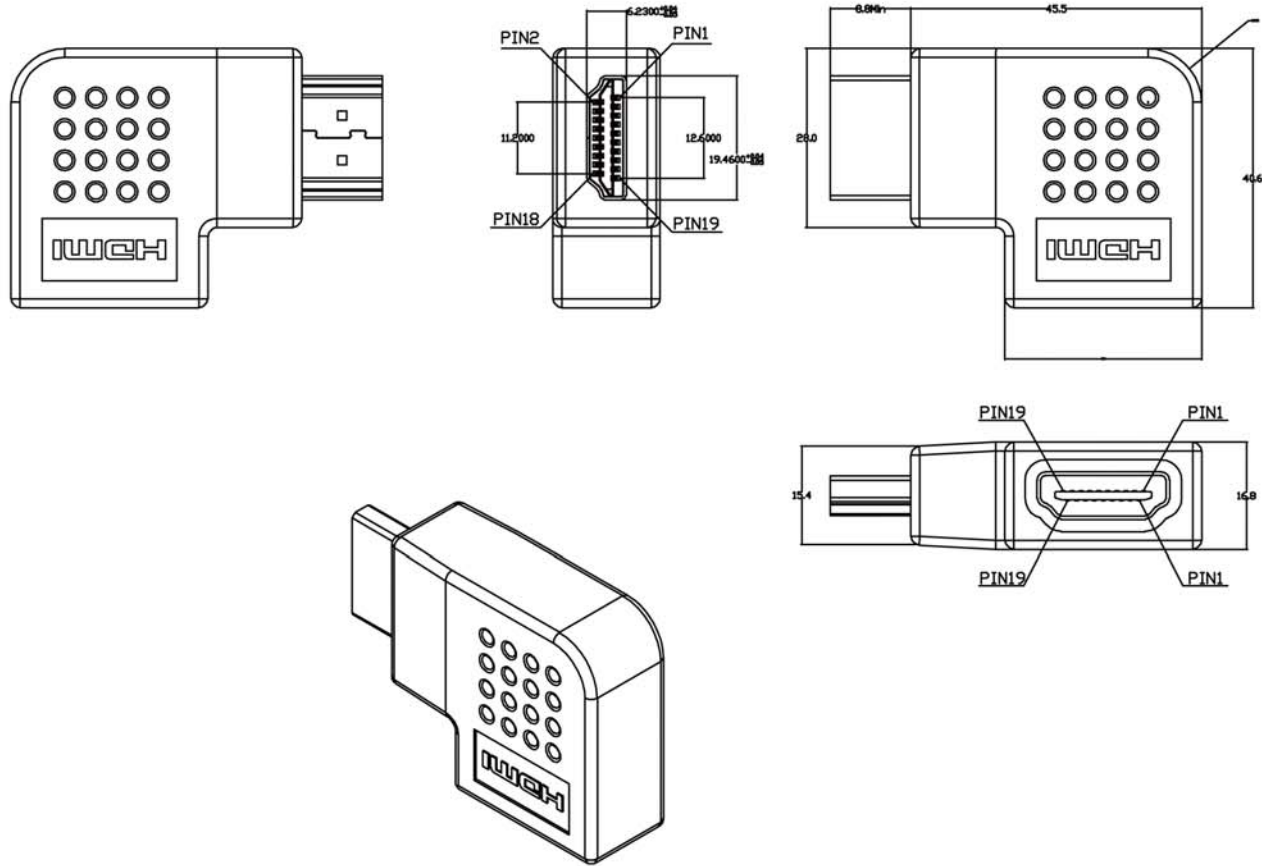


Product Name	HDMI Male to Female Adapter--Right
Product Numbers	SF-CV305



Type D-to-Type D Cable & Adaptor Wire Assignment

Type A pin	Signal Name	Wire	Type A pin
1	TMDS Data2+	C	1
2	TMDS Data2 Shield	C	2
3	TMDS Data2-	A	3
4	TMDS Data1+	B	4
5	TMDS Data1 Shield	A	5
6	TMDS Data1-	A	6
7	TMDS Data0+	B	7
8	TMDS Data0 Shield	A	8
9	TMDS Data0-	A	9
10	TMDS Clock+	B	10
11	TMDS Clock Shield	A	11
12	TMDS Clock-	A	12
13	CEC	B	13
14	Utility	A	14
15	SCL	C	15
16	SDA	D	16
17	DDC/CEC Ground	C	17
18	+5V Power	C	18
19	Hot Plug Detect	5V	19
SHELL	Shield	—	SHELL

ELECTRICAL PROPERTIES:

- 1 CONTACT RESISTANCE: 3 OHM MAX
- 2 DIELECTRIC STRENGTH: 500 VAG MIN
- 3 INSULATION RESISTANCE: 100 MEGOHMS MIN
- 4 OPERATING TEMPERATURE: -20°C TO +85°C
- 5 UNDERPLATING: NICKEL ALL OVER

NO.	SUB PART NAME OR NO.	MATERIAL	MANUFACTURE TYPE & FINISH	QTY	REMARK
1	HDMI AF	LCP/IRON/CU	SHELL/TERMINAL GOLD PLATED	1	
2	HDMI AM	LCP/IRON/CU	SHELL/TERMINAL GOLD PLATED	1	
3	HDMI AM TO AF	PHENOLIC RESIN		1	
4	OVER MOLDING	LAMINATE	COLOR:BLACK	1	

REV.	DESCRIPTION			DATE
⊕	TOLERANCE INCHES M/M			SFCABLE.COM TITLE: SF-CV305
.X	.015	.30		
.XX	.010	.10		
.XXX	.005	.05		
DRAWN BY	Dawson			HDMI Male to Female Adapter--Right
CHECK BY		SCALE	NONE	DRAWING NO: REV. A 1/3
APPD BY		UNIT	MM	
		DATE	2013.03.08	