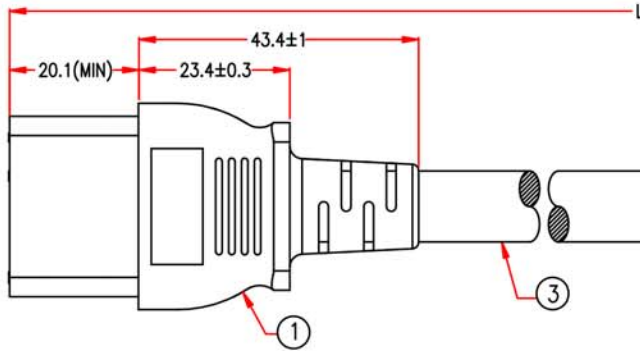
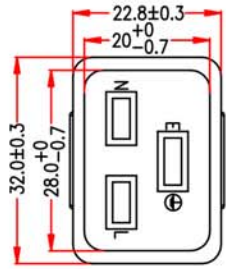


P1: M-042

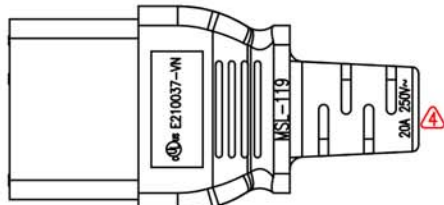
P2: M-048A

Customer No.: No.:1

P1



IEC 60320 C19(MSL-119)



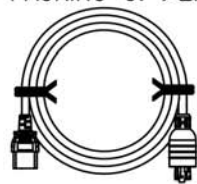
PACKING A: ≤1FT



PACKING B: ≤2FT



PACKING C: >2FT



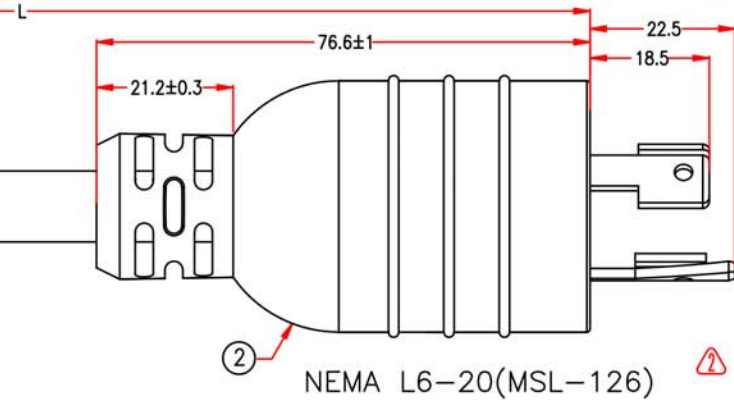
P1, P2: E210037

NOTE: All relevant materials are complied with RoHS directive . THE MARKING IS PROTRUDING LETTERING MOULD

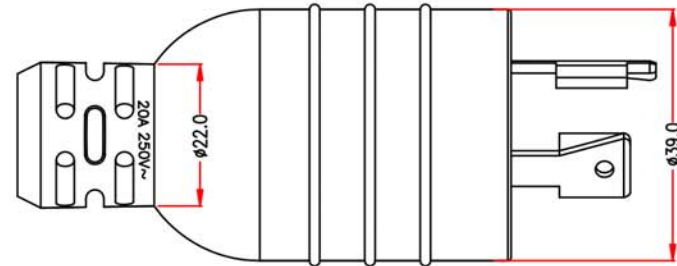
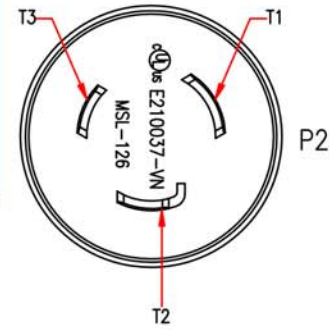
MARKING: (UL) SJT 3/C 12AWG(3.31MM²) VW-1 105°C 300V E204978

C(UL) SJT 3/C 3.31MM²(12AWG) FT2 105°C 300V E204978 MSL-VN-

	P1	P2
BLACK	L	T3
WHITE	N	T1
GREEN	E	T2



NEMA L6-20(MSL-126)



No.	DESCRIPTION	Q'TY	Supplier
3	UL SJT 12AWG x 3C, OD 11.0mm, JACKET BLACK, DRAWING No.EPSJT011203C-158	H5TC41-0304K09	L-20mm M304
2	MOLDED PVC 35P, COLOR BLACK	H1BC02-0304	M304
	BRACKET: YS-L6	A1QC58-0767	1Set M767
	TERMINAL: 97656BL-0 (T3)	A1QB39-0257	1 M257
	TERMINAL: 97655BL-0 (T2)	A1QB41-0257	1 M257
1	MOLDED PVC 35P, COLOR BLACK	H1BC02-0304	1 M304
	BRACKET: YST-037	A1QC36-0767	1Set M767
	TERMINAL: 98739ABS-0	A1QB33-0257	3 M257

APPROVED		 SF Cable - 1-888-275-8755 -	Cable Length Unless Other Spec. Tolerances: 0 ~200mm ±10mm 201~1000mm ±20mm 1001 ~1500mm ±25mm 1501~2100mm ±30mm 2100mm↑ ±40mm
CHECKED	HU		
DESIGNER	XJW		
DRAWING	WEI		
DATE	17/OCT/23		
ITEM NO.		SF-L620C19-XX	UNIT:mm

REV.4 2023.10.17 MODIFY MARKING AND WORD MODEL

REV.3 2021.12.13 MODIFY CABLE LETTERING CONTENT

REV.1 2017.08.15 MODIFY CABLE REV.2 2020.05.15 MODIFY P2 CONTACT