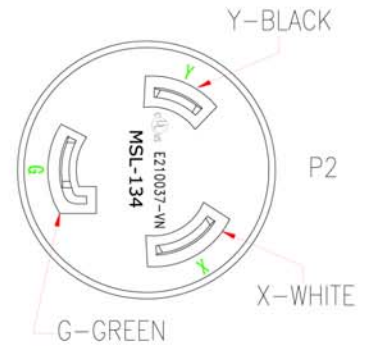
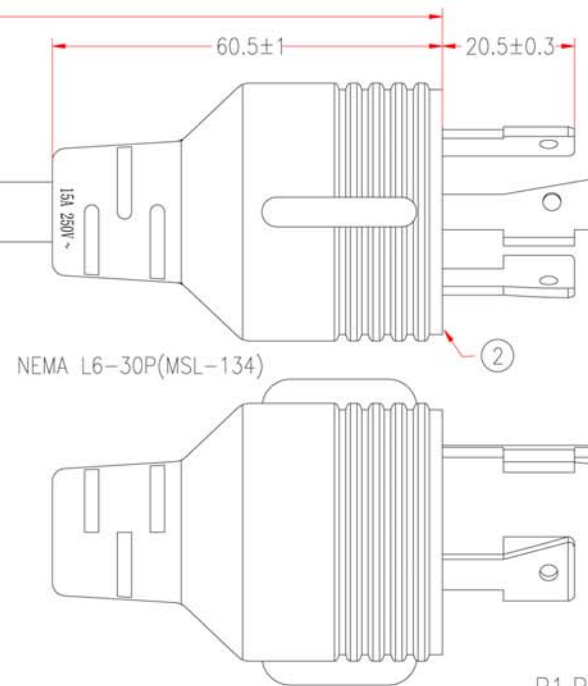
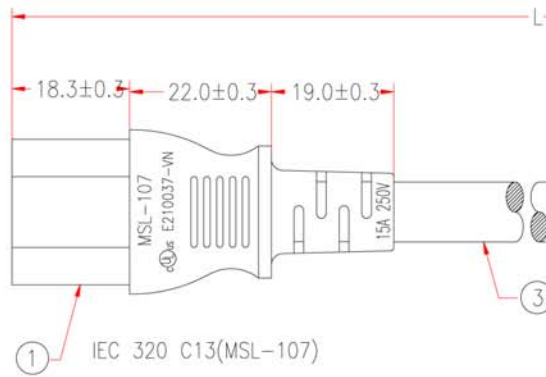
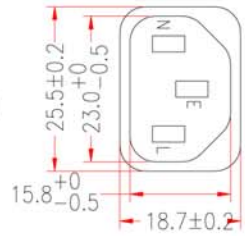


P1: M-005

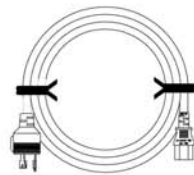
P2: M-071A

Customer No: No:1

P1



PACKING A: ≤1FT PACKING B: ≤2FT PACKING C: >2FT



P1,P2: cUL vs E210037-VN

NOTE: All relevant materials are complied with RoHS directive .

3	UL SJT 14AWG x 3C, OD 9.3mm, JACKET BLACK, DRAWING No. EPSV1011403C-147	H5TC21-0304K09	L-20mm	M304
2	MOLDED PVC 35P, COLOR BLACK	H1BC02-0304K09		M304
	BRACKET: YST-FB-6-30P(MSL134)	A1QC78-0767	1	M767
	TERMINAL: 95657	A1RQ34-0257	1	M257
	TERMINAL: 95658	A1RQ35-0257	1	M257
1	MOLDED PVC 35P, COLOR BLACK	H1BC02-0304K09		M304
	BRACKET: YS-003	A1QC14-0767	1	M767
	TERMINAL: 2*4mm 98744L	A1QB42-0257	3	M257
No.	DESCRIPTION	Q'TY	Supplier	

THE MARKING IS CONCAVE LETTERING MOULD:

(UL) SJT 3/C 14AWG(2.08MM²) VW-1 105°C 300V E204978 C(UL)

SJT 3/C 2.08MM²(14AWG) FT2 105°C 300V E204978 MSL-VN-

	P1		P2
BLACK	L	_____	Y
WHITE	N	_____	X
GREEN	E	_____	G

APPROVED		 SFCable — 1-888-275-8755 —	Cable Length Unless Other Spec. Tolerances: 0 ~200mm ±10mm 201~1000mm ±20mm 1001 ~1500mm ±25mm 1501~2100mm ±30mm 2100mm↑ ±40mm
CHECKED	HU		
DESIGNER	XJW		
DRAWING	DAI		
DATE	31/OCT/22		
ITEM NO.	SF-L63013-XX		UNIT:mm  

CHECKED