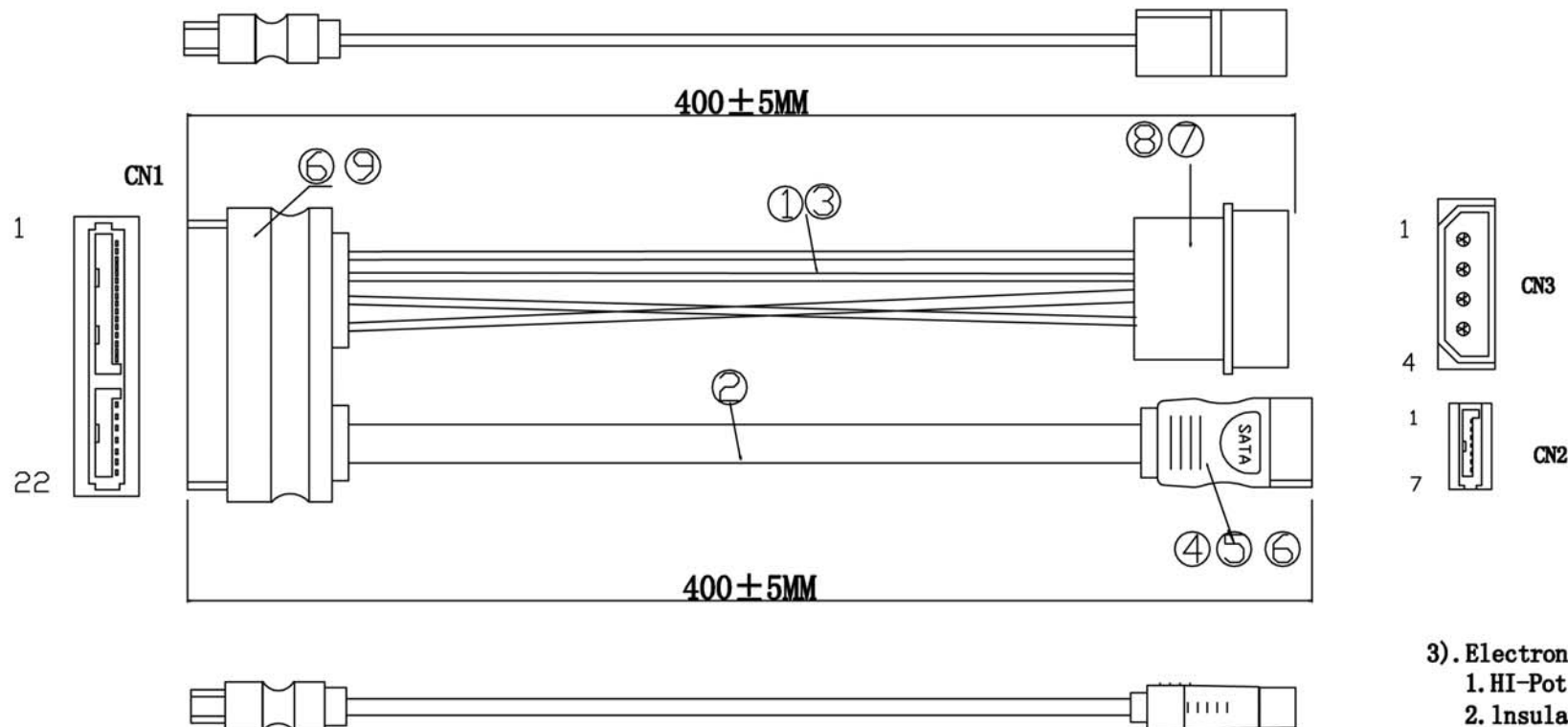


Product Name	SATA 22P to SATA 7P+Power cable
Product Numbers	SF-ST301



- 3). Electronics Test:
1. HI-Pot test: AT DC 300V;
 2. Insulation resistance: 2M Ω /Min.
 3. Contactor resistance: 20 Ω /Max.
 4. 100% open short & miss wire test.

1). Material List :

NO.	Material Name	UNIT	QTY
①	18AWG 12/0.19BC (BLACK)	PCS	2
	18AWG 12/0.19BC (RED)	PCS	1
	18AWG 12/0.19BC (YELLOW)	PCS	1
②	SATA CABLE 2725 OD:2.2*7.8 PVC: RED	PCS	1
③	Black nylon weaving	PCS	1
④	SATA 7P bronze plating half gold terminals	PCS	7
⑤	SATA 7P PBT material black female	PCS	1
⑥	PVC 45P black plugs	NG	1
⑦	PH:5.08mm Male Tinned Terminal	PCS	1
⑧	PH:5.08mm Big 4P ,White Housling	PCS	4
⑨	LCP materials SATA7 +15 mother with screw hole plugs	PCS	1

2.) Pin Out:

CON1	CON3
PIN1-3	PIN1
PIN4-6	PIN2
PIN7-9	PIN3
PIN10-12	PIN4
PIN13-15	CON2
PIN16	PIN1
PIN17	PIN2
PIN18	PIN3
PIN19	PIN4
PIN20	PIN5
PIN21	PIN6
PIN22	PIN7

4). finished goods delivery, appearance neat, a single box packaging.

REV.	DESCRIPTION			DATE
	TOLERANCE INCHES M/M			SFCABLE.COM TITLE: SF-ST301
	.X	.015	.30	
	.XX	.010	.10	
	.XXX	.005	.05	
DRAWN BY	Dawson			SATA 22P to SATA 7P+Power cable
CHECK BY		SCALE	NONE	DRAWING NO:
APPD BY		UNIT	MM	REV. A
		DATE	2013.03.08	1/3