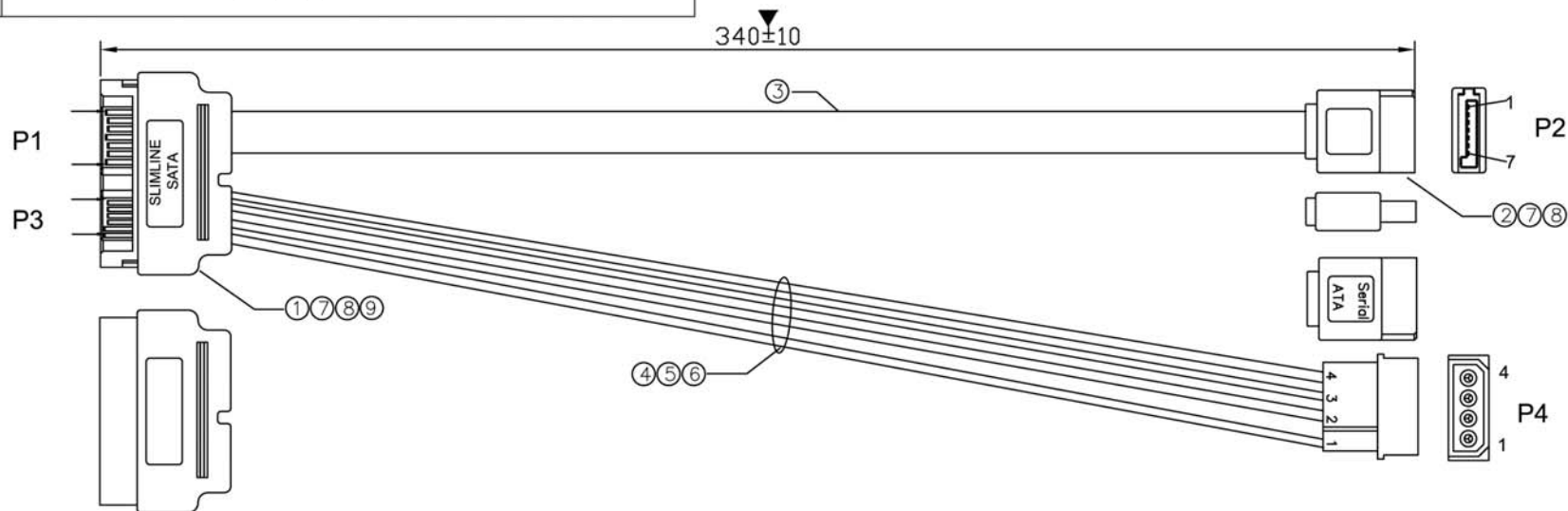


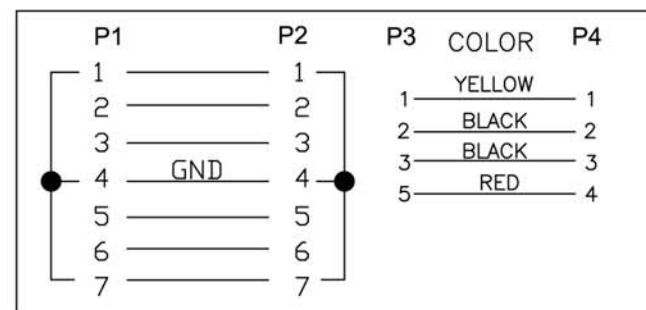
Product Name	Slim SATA 13P to SATA 7P + 4 pin power cable
Product Numbers	SF-ST302



ELECTRONIC TEST:

1. ALL CABLE 100% TEST, OPEN, SHORT, MISS WIRE
2. RESISTANCE: 2 ohm max
3. I. RESISTANCE: 10M ohm min
4. HI-POT: 300V DC/10ms
5. DIMENSIONS MARK "▼" SHOULD BE CHECKED;

PIN ASSIGNMENT



NO.	SPEC	DESCRIPTION	Q'TY	UNIT
①	CONTACT	SM CONTACT TIN FLESH MALE	4	PCS
⑩	HSG	SM POWER-4P FEMALE WHITE	1	PCS
⑨	TUBE	∅1.5 BLACK L=4mm	4	PCS
⑧	OVER MOLDING	45P PVC BLACK	0.009	KG
⑦	INNER MOLDING	PE	0.0028	KG
⑥	HOOK UP WIRE	UL1007 22AWG RED L=315	1	PCS
⑤	HOOK UP WIRE	UL1007 22AWG BLACK L=315	2	PCS
④	HOOK UP WIRE	UL1007 22AWG YELLOW L=315	1	PCS
③	SATA CABLE	UL2725 7C 26AWG COLOR:RED OD:2.2*7.8mm	320	mm
②	SATA CONN	SATA 7P 7C CONN Female BLACK MOLDING G/F	1	PCS
①	SATA CONN	SLIMLINE SATA 13P MALE ,BLACK MOLDING G/F	1	PCS

REV.	DESCRIPTION	DATE
④	TOLERANCE INCHES M/M	SFCABLE.COM
.X	.015 .30	
.XX	.010 .10	
.XXX	.005 .05	TITLE: SF-ST302
DRAWN BY	Dawson	Slim SATA 13P to SATA 7P + 4 pin power cable
CHECK BY		SCALE: NONE DRAWING NO:
APPD BY		UNIT: MM REV. A
	DATE: 2013.03.08	1/3