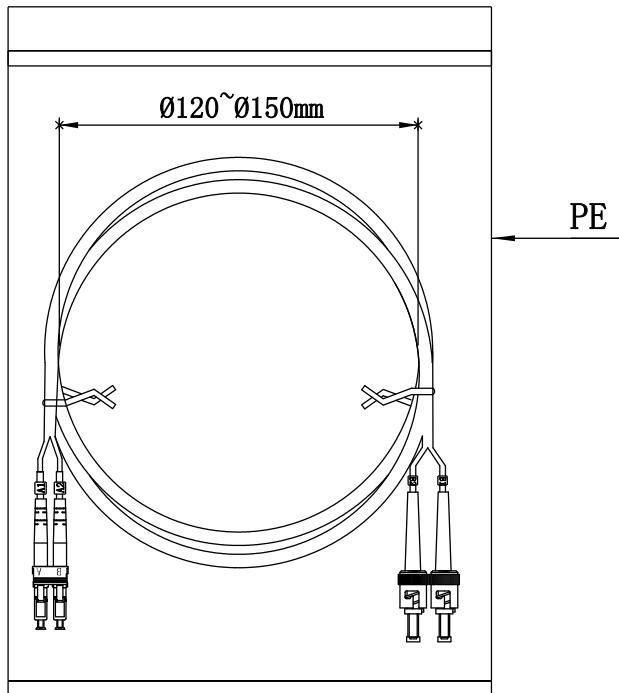
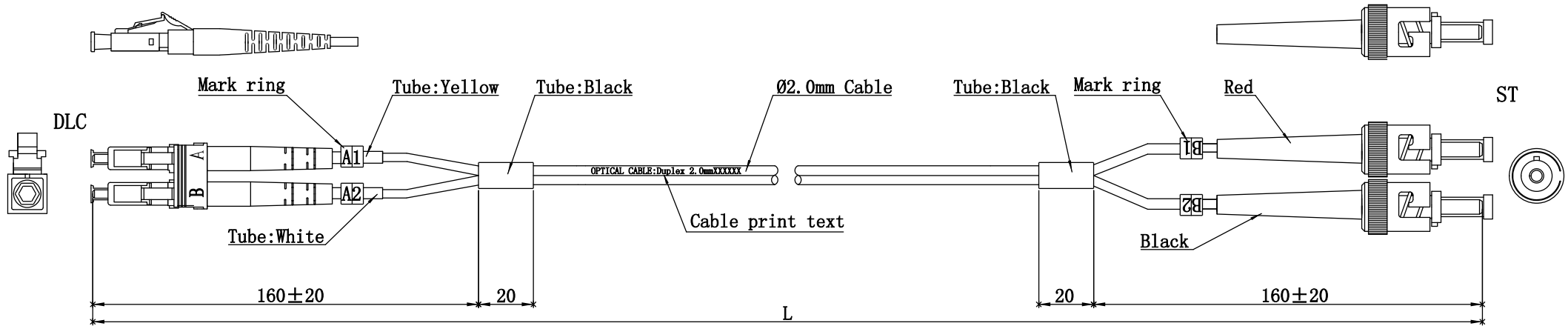


NOTE:ALL MATERIAL COMPLIANT ROHS STANDARD

REVISION INFORMATION

Rev.	Rev. Date	Modified By	Brief Description



Specifications:

Type	DLC/UPC-ST/UPC
Fiber Mode	OM2
Core Diameter (um)	50/125
Operating Wavelength (nm)	850/1300
Cable Color	Orange
Cable Diameter (mm)	Ø2.0
Operating Temperature (° C)	-40~+75
Storage Temperature (° C)	-40~+85
Insertion loss (dB)	≤0.2dB
Return loss (dB)	≥35dB
ST Connector Color (Boot)	Red/Blcak

$L \leq 5m$, TOLERANCES: $0 \leq \Delta L \leq 5cm$
 $L > 5m$, TOLERANCES: $0 \leq \Delta L \leq 1\% * L$



NO.	PART NAME	SPECIFICATION DESCRIPTION	QTY	UNIT
①				
②				
③				

Unless specified on the drawing, tolerances are per the follows:

.x +1
 .x +0.2
 .xx +0.05

DRAWN BY	DATE: 2015/05/14	DESCRIPTION: LC-ST-DX OM2 Patchcord	
CHECKED BY	SHEET 1of1	ITEM NO.	
APPROVED BY	SCALE 1:1	REV. 00	UNIT:mm

