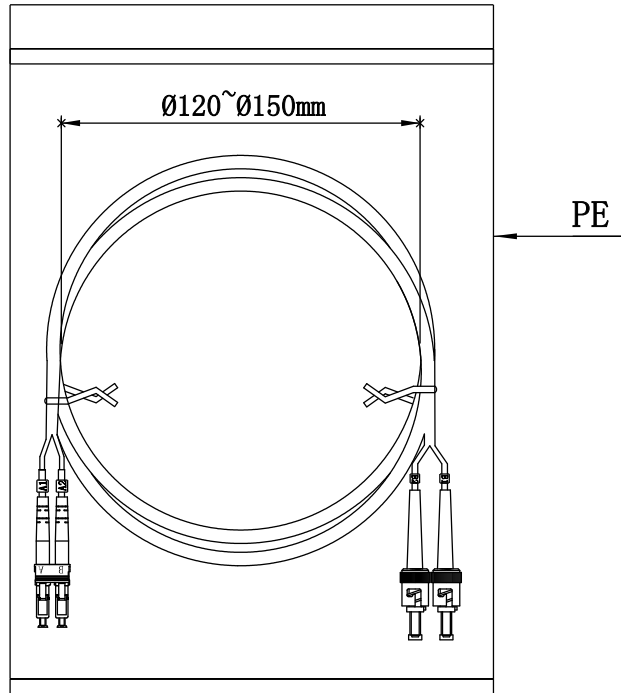
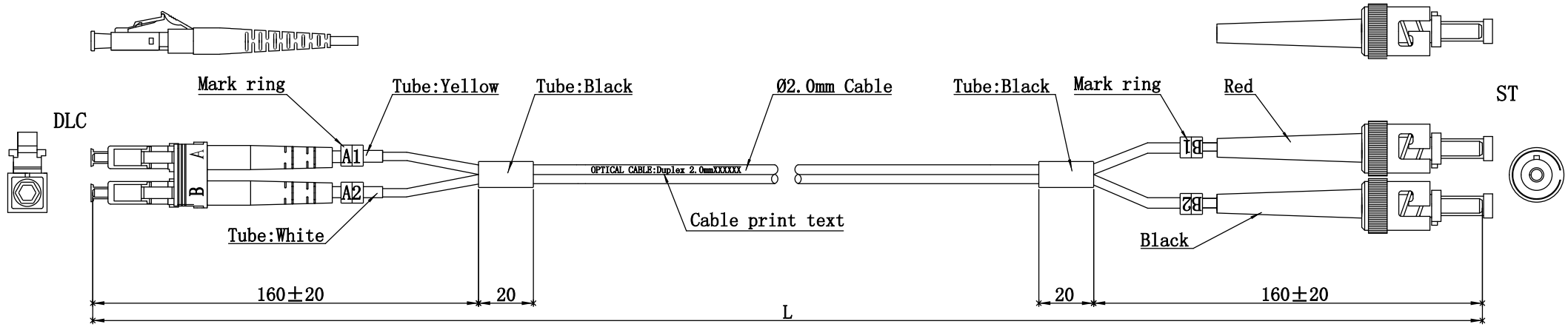


NOTE:ALL MATERIAL COMPLIANT ROHS STANDARD

REVISION INFORMATION

| Rev. | Rev. Date | Modified By | Brief Description |
|------|-----------|-------------|-------------------|
| | | | |



Specifications:

| | |
|-----------------------------|----------------|
| Type | DLC/UPC-ST/UPC |
| Fiber Mode | OM2 |
| Core Diameter (um) | 50/125 |
| Operating Wavelength (nm) | 850/1300 |
| Cable Color | Orange |
| Cable Diameter (mm) | Ø2.0 |
| Operating Temperature (° C) | -40~+75 |
| Storage Temperature (° C) | -40~+85 |
| Insertion loss (dB) | ≤0.2dB |
| Return loss (dB) | ≥35dB |
| ST Connector Color (Boot) | Red/Blcak |



| NO. | PART NAME | SPECIFICATION DESCRIPTION | QTY | UNIT |
|-----|-----------|---------------------------|-----|------|
| ① | | | | |
| ② | | | | |
| ③ | | | | |

Unless specified on the drawing, tolerances are per the follows:
 .x +1
 .xx +0.2
 .xxx +0.05

| | | |
|-------------|---------------------|--|
| DRAWN BY | DATE: 2015/05/14 | DESCRIPTION: LC-ST-DX OM2 Patchcord |
| CHECKED BY | SHEET 1of1 | ITEM NO. |
| APPROVED BY | SCALE 1:1 | REV. 00 |
| | UNIT:mm | |