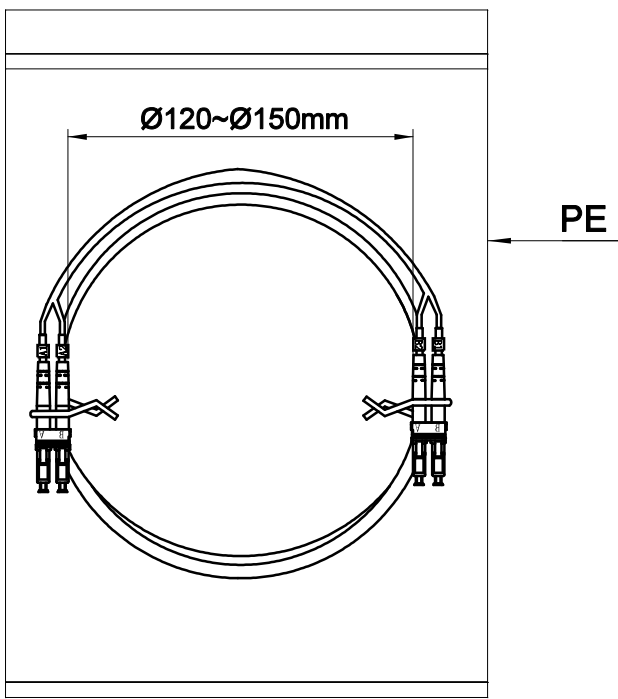
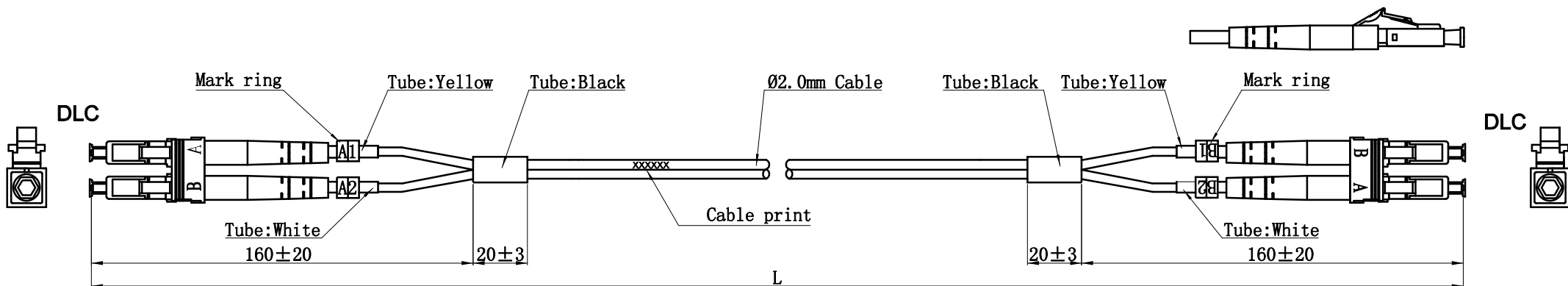


NOTE:ALL MATERIAL COMPLIANT ROHS STANDARD

REVISION INFORMATION


Rev.	Rev. Date	Modified By	Brief Description



Specifications:

Type	DLC/UPC-DLC/UPC
Fiber Mode	OM4
Core Diameter(um)	50/125
Operating Wavelength(nm)	850/1300
Cable Color	Violet
Cable Diameter(mm)	Ø2.0
Operating Temperature(°C)	-25~+70
Storage Temperature(°C)	-25~+70
Insertion loss(dB)	≤0.3
Return loss(dB)	≥35

L≤10m, TOLERANCES:0≤ΔL≤10cm
 L> 10m, TOLERANCES:0≤ΔL≤1%*L



DRAWN BY	DATE: 2018/03/12	DESCRIPTION: LC-LC-DX OM4 Patchcord
CHECKED BY	SHEET 1 of 2	ITEM NO.
APPROVED BY	SCALE 1:1	REV. 00 UNIT:mm

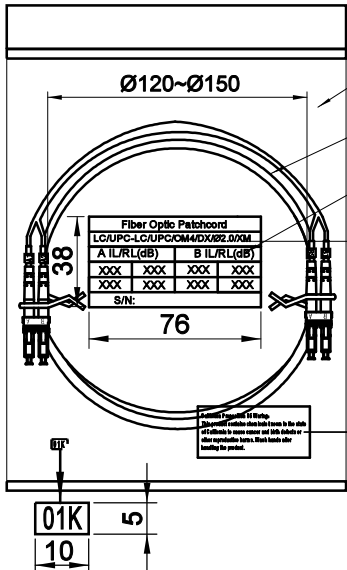
NO.	PART NAME	SPECIFICATION DESCRIPTION	QTY	UNIT
③				
②				
①				

Unless specified on the drawing,
 tolerances are per the follows:
 . +1
 .x +0.2
 .xx +0.05

NOTE: CARTON MATERIAL MUST BE A=A

REVISION INFORMATION

Rev.	Rev. Date	Modified By	Brief Description



PE bag

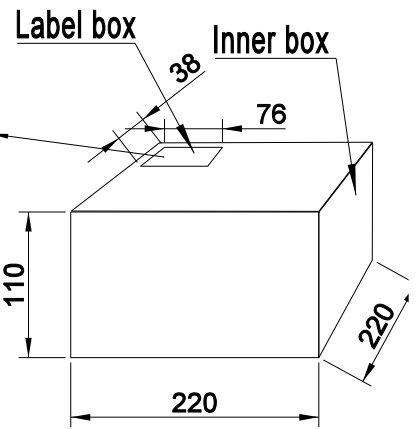
DLC-DLC Double Patchcord

Label

Fiber Optic Patchcord			
LC/UPC-LC/UPC/OM4/DX/Ø2.0/XM			
A IL/RL(dB)		B IL/RL(dB)	
XXX	XXX	XXX	XXX
XXX	XXX	XXX	XXX
S/N:			

Fiber Optic Patchcords
LC/UPC-LC/UPC/OM4/DX/2.0mm/XM
ITEM NO.
XXpcs

50
20
California Proposition 65 Warning:
This product contains chemicals known to the state of California to cause cancer and birth defects or other reproductive harms. Wash hands after handling the product.

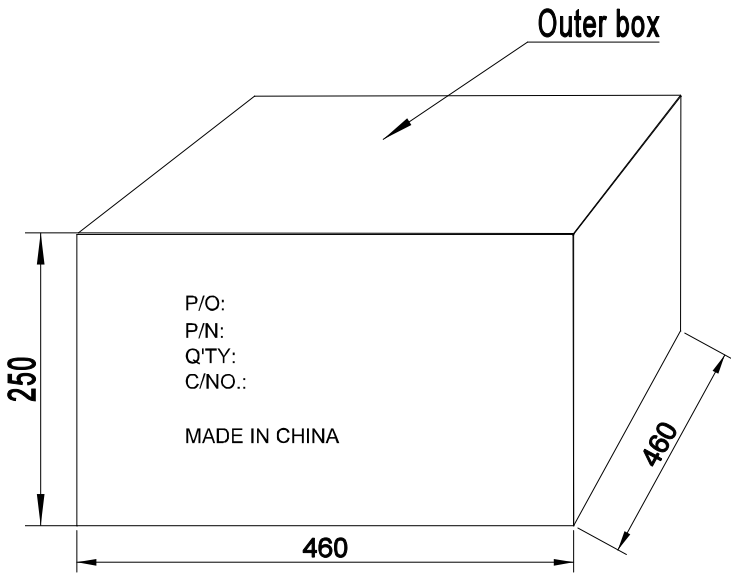


01K
10

(The label on the PE bag of reverse side of the lower right corner)

Packing list:

Length (m)	PE bag size (inches)	Box number	Box weight (LBS)	A large number of packing box	Big box weight(LBS)
1	7*7	40	2.26	8	19.84
1.5	7*7	30	2.30	8	20.38
2	7*7	30	2.37	8	20.94
3	8*8	25	2.45	8	21.60
4	8*8	20	2.50	8	21.90
5	8*8	20	2.53	8	22.04
6	8*8	18	2.53	8	22.04
7	8*8	18	2.53	8	22.04
8	8*8	18	2.53	8	22.04
9	8*8	18	2.60	8	22.78
10	8*8	15	2.53	8	22.04
12	8*8	12	2.53	8	20.04
15	8*8	10	2.53	8	20.04
20	8*8	8	2.65	8	23.18
25	9*9	7	2.70	8	23.40
30	9*9	6	2.65	8	23.18
35	9*9	5	2.70	8	23.40
40	9*9	4	2.73	8	23.60
50	11*11	2	2.73	8	23.60



P/N:
 Q'TY: PCS
 N.W.: KGS
 G.W.: KGS
 Date Code: 35-2011
 Vender Code: PS01201

P/O:
 P/N:
 Q'TY:
 C/NO.:

 MADE IN CHINA

Carton Size: 18.11(L)*18.11(W)*9.84(H) Inches
 Carton Quantity: XXpcs
 Carton Weight: XXLBS

DRAWN BY	DATE: 2018/03/12	DESCRIPTION: LC-LC-DX OM4 Patchcord
CHECKED BY	SHEET 1of1	ITEM NO.
APPROVED BY	SCALE 1:1	REV. 00

UNIT:mm