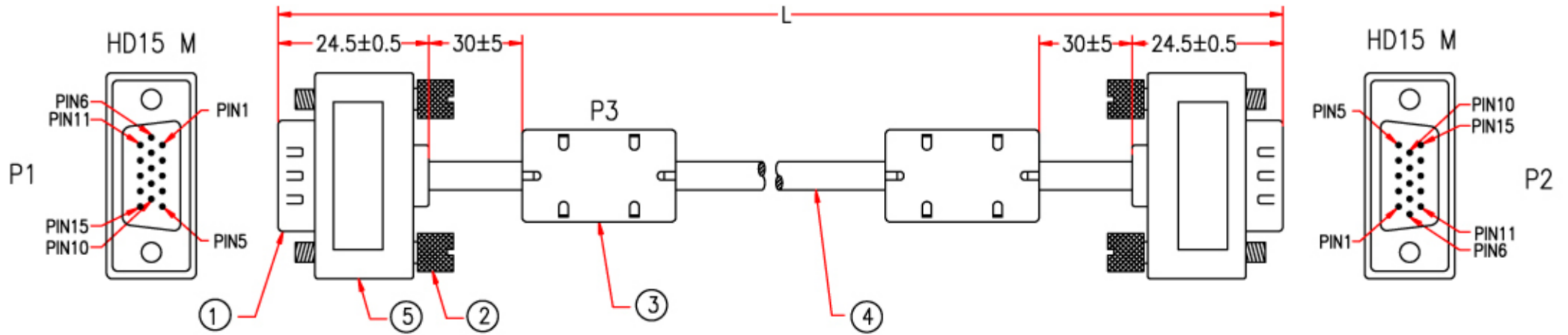


P1,P2: M-Y123A
 M-126A
 P3: M-300B



P1		9B56-2		P2	
1	—	1	RED CONDUCTOR	1	RED CONDUCTOR
6	—	6	RED SHIELD	6	RED SHIELD
2	—	2	GREEN CONDUCTOR	2	GREEN CONDUCTOR
7	—	7	GREEN SHIELD	7	GREEN SHIELD
3	—	3	BLUE CONDUCTOR	3	BLUE CONDUCTOR
8	—	8	BLUE SHIELD	8	BLUE SHIELD
4	—	4		4	
5	—	5		5	
9	—	9		9	
10	—	10		10	
11	—	11		11	
12	—	12		12	
13	—	13		13	
14	—	14		14	
15	—	15		15	
SHIELD	—	SHIELD		SHIELD	

* NOTE: All relevant materials are complied with RoHS directive .

No.	DESCRIPTION	Q'TY	Supplier
5	BLACK HEAT SHRINK TUBE ϕ 3.0*5mm	6	M743
	BLACK HEAT SHRINK TUBE ϕ 1.0*5mm	6	M743
	BLACK HEAT SHRINK TUBE ϕ 3.0*10mm	2	M743
	COPPER FOIL 17*65mm	2	M309
	MOLDED PE COLOR TRANSPARENT		M280
	MOLDED PVC BLACK		M304
4	UL20276 [32AWG(1C+D+FAM)*3C+9C*30AWG]+AL+D+B, OD 4.6mm, JACKET BLACK	L-20mm	M298
3	FERRITE CORE 12*5.6*20mm	2	M113
	MOLDED PVC BLACK		M304
2	SCREW #4-40, LENGTH 6.25*25.5mm	4	M95
1	HD15 MALE WITH THREADED NUT(2pcs) INSIDE, 4.75*5.5mm, GOLD FLASH ON CONTACTS, METALLIZE TYPE, BLUE INSULATOR	2	M108

APPROVED			Cable Length Unless Other Spec. Tolerances: 0 ~200mm ±10mm 201~1000mm ±20mm 1001 ~1500mm ±25mm 1501~2100mm ±30mm 2100mm↑ ±40mm
CHECKED	HU		
DRAWING	CHEN		
DATE	23/JUL/09	ITEM NO.	VG10-SL-XX
			UNIT:mm

CHECKED

