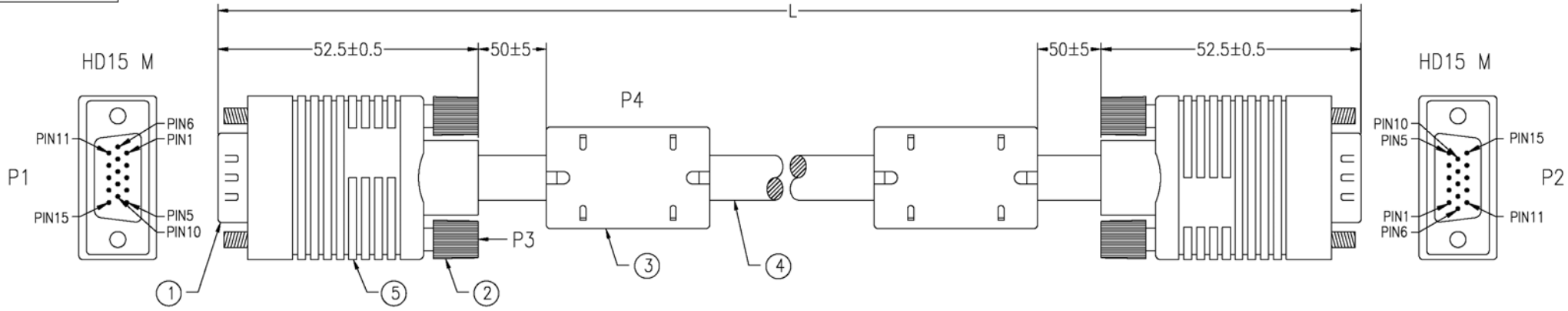


P1,P2:	M-Y125B
	M-125E
P3:	M-487A
P4:	M-323C



*NOTE: All relevant materials are complied with RoHS directive .

PIN ASSIGNMENT	
P1	P2
1	1 RED CONDUCTOR
6	6 RED SHIELD
2	2 GREEN CONDUCTOR
7	7 GREEN SHIELD
3	3 BLUE CONDUCTOR
8	8 BLUE SHIELD
4	4 BROWN
14	14 BROWN/WHITE
5	5 RED
12	12 RED/WHITE
9	9 YELLOW
10	10 ORANGE
13	13 ORANGE/WHITE
11	11 BLACK
15	15 BLACK/WHITE
SHIELD	SHIELD

No.	DESCRIPTION	Q'TY	Supplier
5	BLACK PVC TUBE ϕ 3.0*22mm	2	M304
	BLACK HEAT SHRINK TUBE ϕ 3.0*10mm	6	M743
	BLACK HEAT SHRINK TUBE ϕ 1.5*10mm	6	M743
	COPPER FOIL 33*65mm	2	M379
	MOLDED PE COLOR TRANSPARENT		TWN
	MOLDED PVC BLACK		M304
4	UL2919 {[28AWG+AL+S(29/0.10mmTS)]*3COAXIAL+(28AWG*4.5P)},AL+D+AMA BRAID(47%), OD:9.0mm, JACKET BLACK GROOVE, DRAWING No.EAAB2803T2804P2801C-197	L-20mm	M304
3	FERRITE CORE 17.5*10.5*28.5mm	2	M113
	MOLDED PVC BLACK		M304
2	MOLDED THUMBSCREW #4-40, LENGTH 48mm, BLACK	4	M95
1	HD15 MALE, GOLD FLASH ON CONTACTS, BLUE INSULATOR	2	M108

APPROVED		SFCABLE.COM 1-888-275-8755	Cable Length Unless Other Spec. Tolerances: 0 ~200mm \pm 10mm 201~1000mm \pm 20mm 1001 ~1500mm \pm 25mm 1501~2100mm \pm 30mm 2100mm \uparrow \pm 40mm		
CHECKED	TIAN				
DRAWING	XIANG				
DATE	28/DEC/07	ITEM NO.	VG10-XX	UNIT:mm	