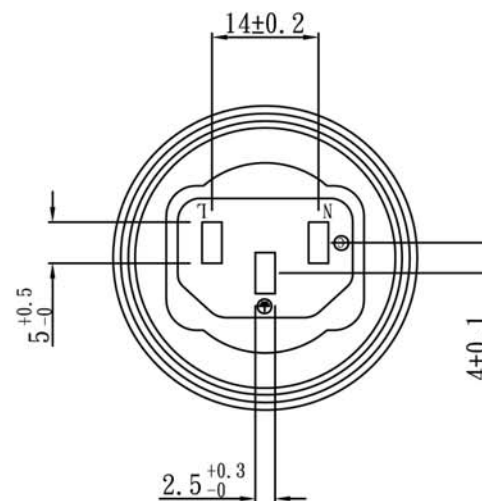
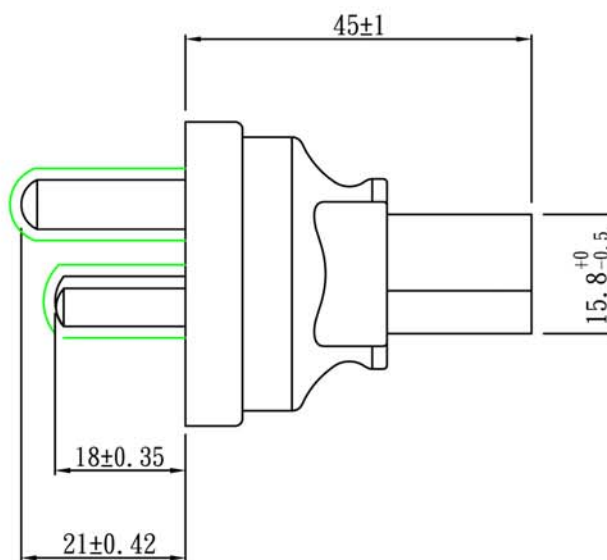
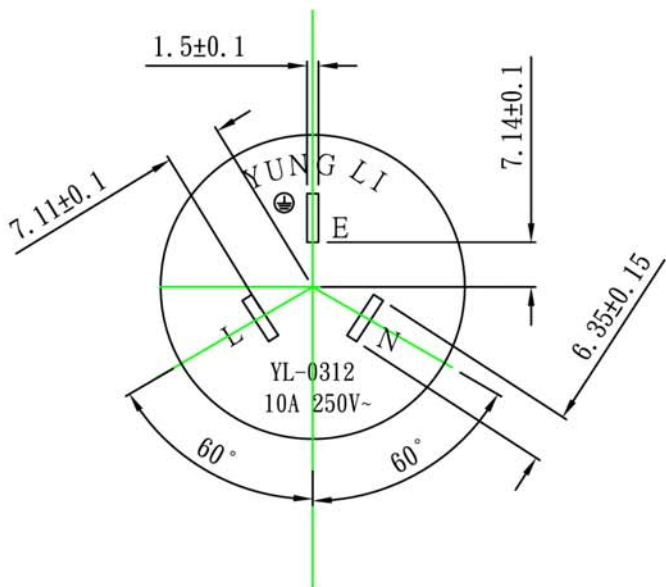
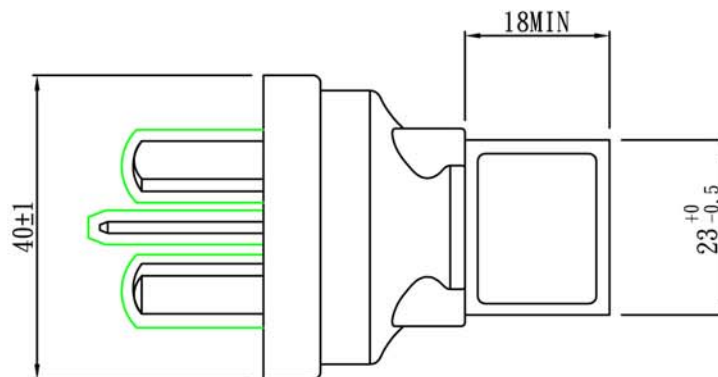



# IEC 60320 C13 to GB 2099



## Note:

1. Rating: 10A 250V
2. Insulation Resistance: 100MΩ
3. Dielectric Voltage: 2000V/sec

Tolerance >0±0.30 >1.0±0.50 >10.0±1.0 >20.0±2.0 Angle: ±1°	Approved		Date				
	Checked		Date				
	Drawn		Date	Customer			
	Cat. No.	YL-0312		P/N.			
	Drawing No.	CY-A0312	Rev.	B	Material	P. V. C	Unit
				Scale		