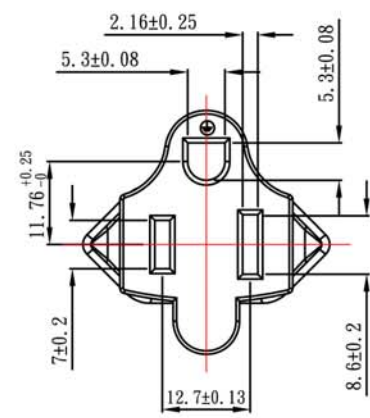
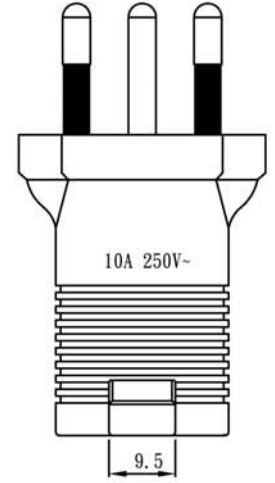
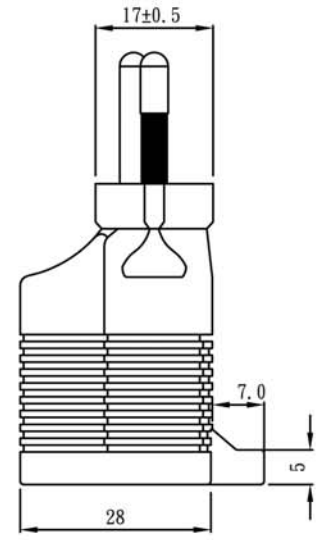
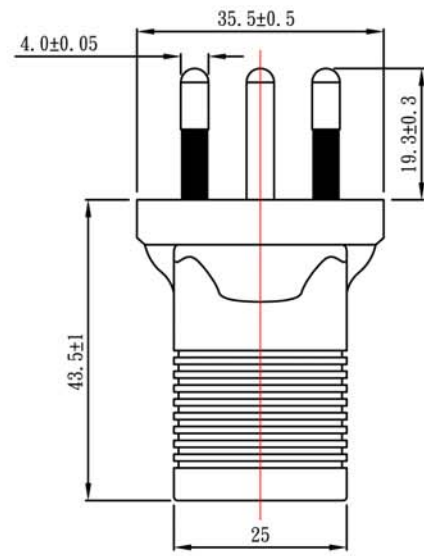
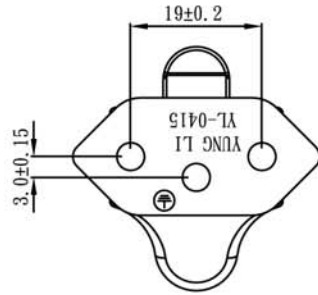



NEMA 5-15R to NBR 14136



Note:

1. Rating: 10A 250V
2. Insulation Resistance: 100MΩ
3. Dielectric Voltage: 2000V/sec

TOLERANCE >0±0.30 >1.0±0.50 >10.0±1.0 >20.0±2.0 Angle: ±1°	APPROVED		DATE					
	CHECKED		DATE					
	DRAWN		DATE		CUSTOMER			
	TYPE	YL-0415			P/N			
DRAWING NO.	CY-A0415	REV	B	SCALE	1:1	UNIT	mm	