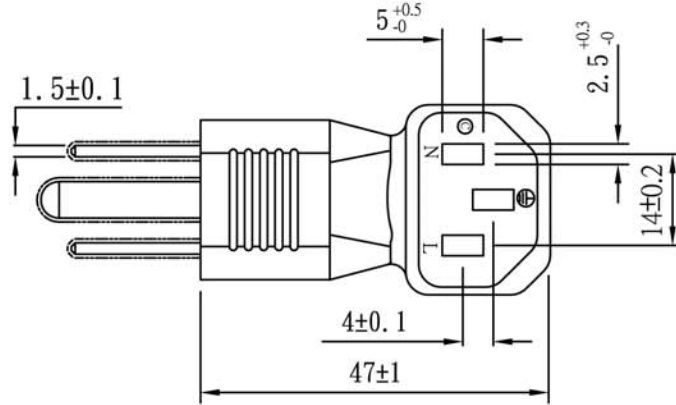
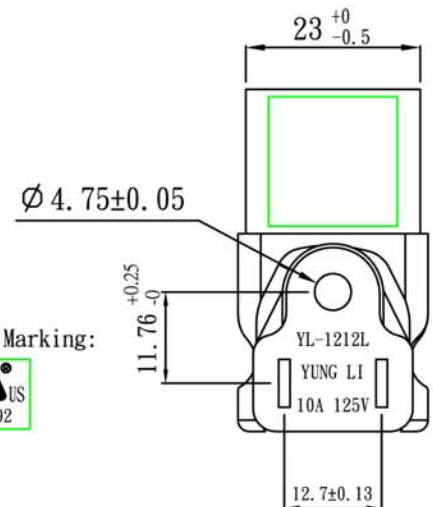
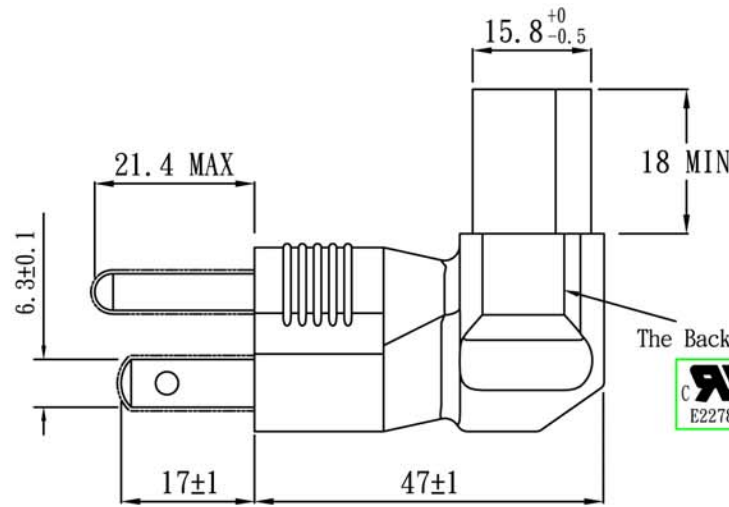
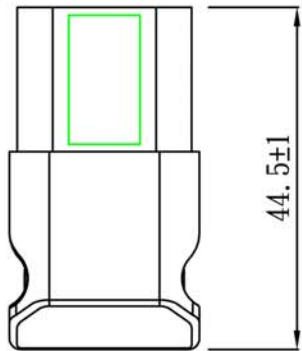




Down Angle IEC 60320 C13 to NAME 5-15P



- Note:
1. Rating: 10A 125V
 2. Insulation Resistance: 100MΩ
 3. Dielectric Voltage: 2000V/sec



The Back Marking:

TOLERANCE >0±0.30 >1.0±0.50 >10.0±1.0 >20.0±2.0 Angle: ±1°	APPROVED		DATE		 1-888-275-8755			
	CHECKED		DATE					
	DRAWN		DATE					
	TYPE	YL-1212L			P/N			
	DRAWING NO.	CY-A1212L			MATERIAL	P. V. C	UNIT	mm
				SCALE	1:1			