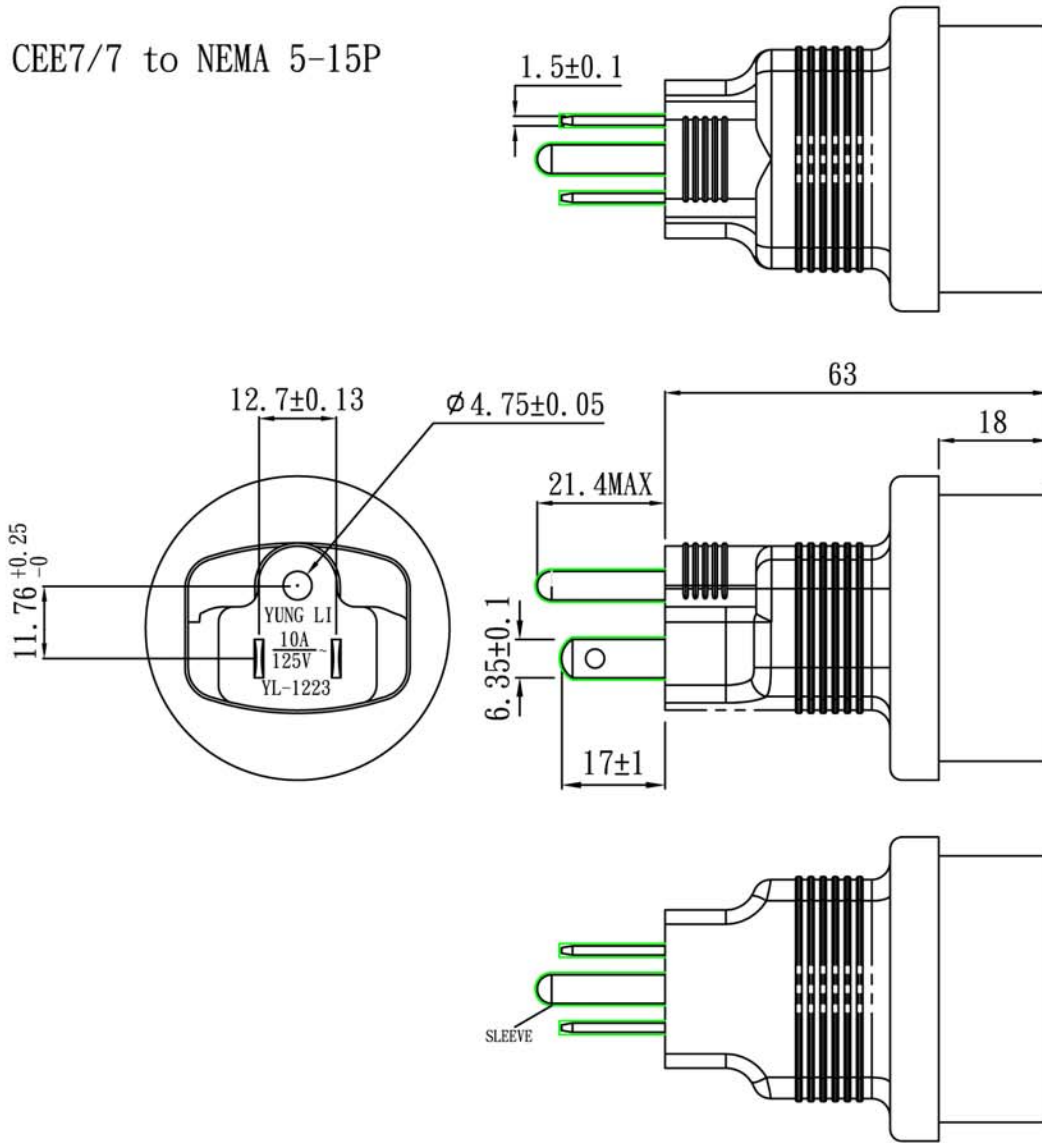
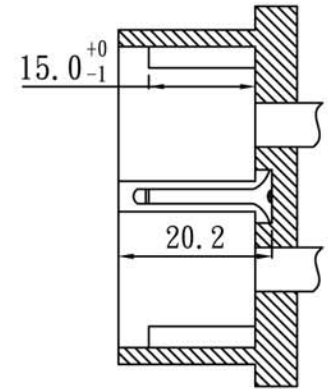
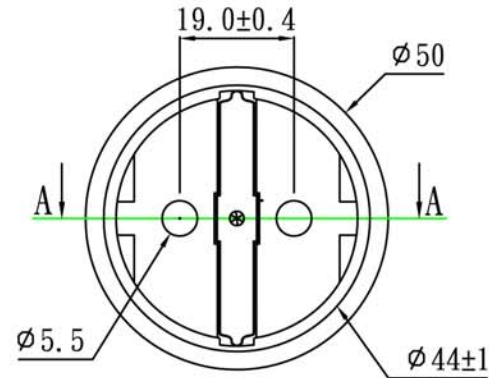


CEE7/7 to NEMA 5-15P




Note:

1. Rating: 10A 125V
2. Insulation Resistance: 100MΩ
3. Dielectric Voltage: 2000V/sec



A--A(局部)

TOLERANCE >0±0.30 >1.0±0.50 >10.0±1.0 >20.0±2.0 Angle: ±1°	APPROVED	DATE	 1-888-275-8755				
	CHECKED	DATE					
	DRAWN	DATE					
TYPE	YL-1223		P/N				
DRAWING NO.	CY-A1223	SCALE	1:1	MATERIAL	P. V. C	UNIT	mm