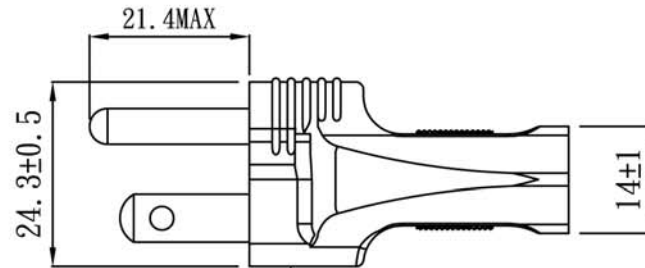
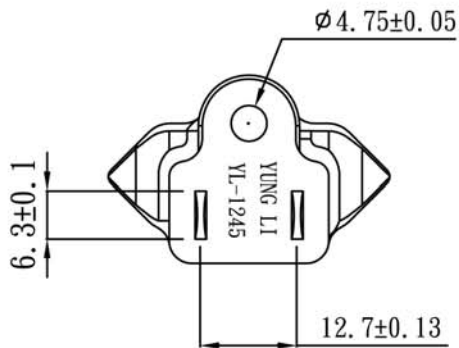
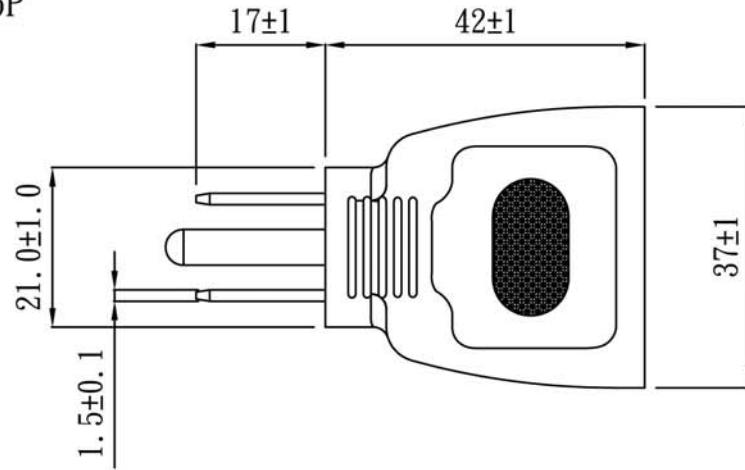


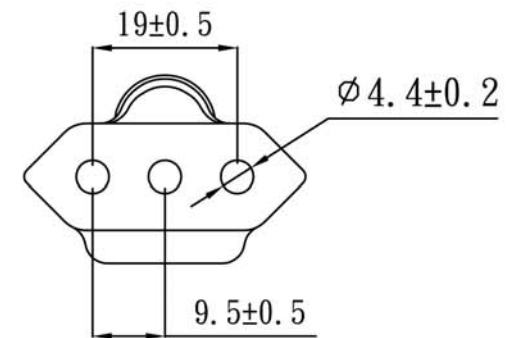
CEI 23-16 to NEMA 5-15P



Marking:



10A 125V~




Note:

1.Rating:10A 125V

2.Insulation Resistance:100MΩ

3.Dielectric Voltage:2000V/sec

TOLERANCE >0±0.30 >1.0±0.50 >10.0±1.0 >20.0±2.0 Angle: ±1°	APPROVED		DATE		 1-888-275-8755			
	CHECKED		DATE					
	DRAWN		DATE					
TYPE	YL-1245			P/N				
DRAWING NO.	CY-A1245			MATERIAL	P. V. C	UNIT	mm	
				SCALE	1:1	