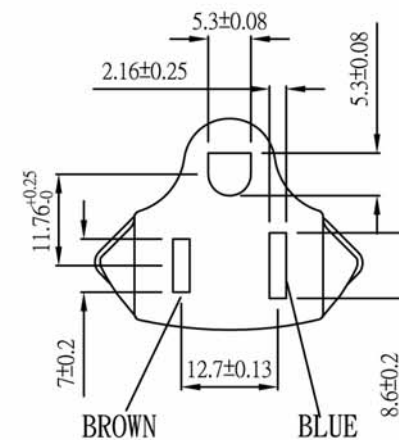


Note:

1.Rating:5A 250V

2.Insulation Resistance:100MΩ

3.Dielectric Voltage:2000V/sec



TOLERANCE >0±0.30 >1.0±0.50 >10.0±1.0 >20.0±2.0 Angle: ±1°	APPROVED		DATE	<b>SF Cable, Inc</b> 1-888-275-8755		
	CHECKED		DATE			
	DRAWN		DATE			
	TYPE	YL-21K15		P/N		
	DRAWING NO.	CY-A21K15		MATERIAL	P. V. C	UNIT

