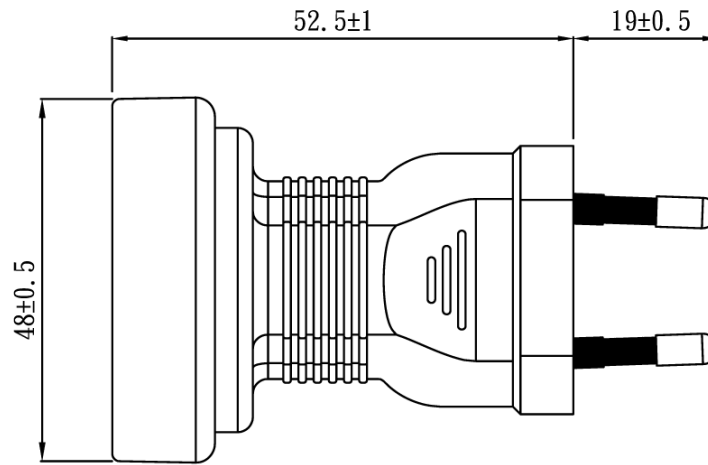
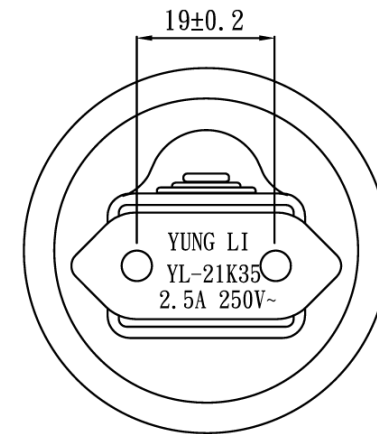
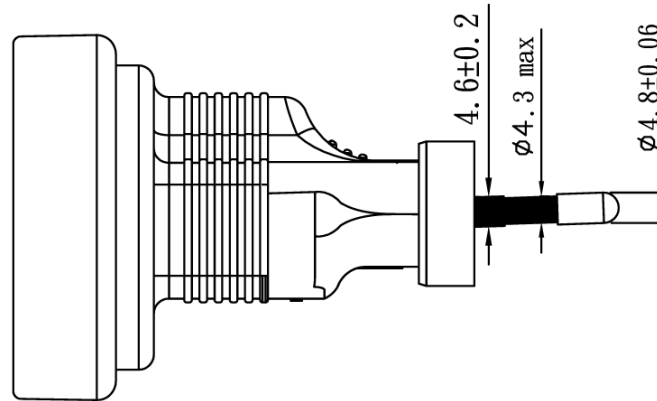
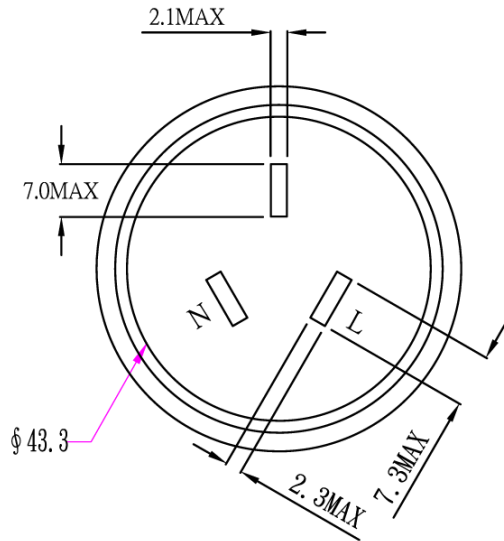


AS 3112 to KSC 8305



Note:

1. Rating: 2.5A 250V
2. Insulation Resistance: 100MΩ
3. Dielectric Voltage: 2000V/sec



TOLERANCE >0±0.30 >1.0±0.50 >10.0±1.0 >20.0±2.0 Angle: ±1°	APPROVED		DATE	SFCABLE.COM			
	CHECKED		DATE				
	DRAWN		DATE				
	TYPE	YL-21K35			P/N		
	DRAWING NO.	CY-A21K35			MATERIAL	P. V. C	UNIT

SCALE	1:1		
-------	-----	--	--